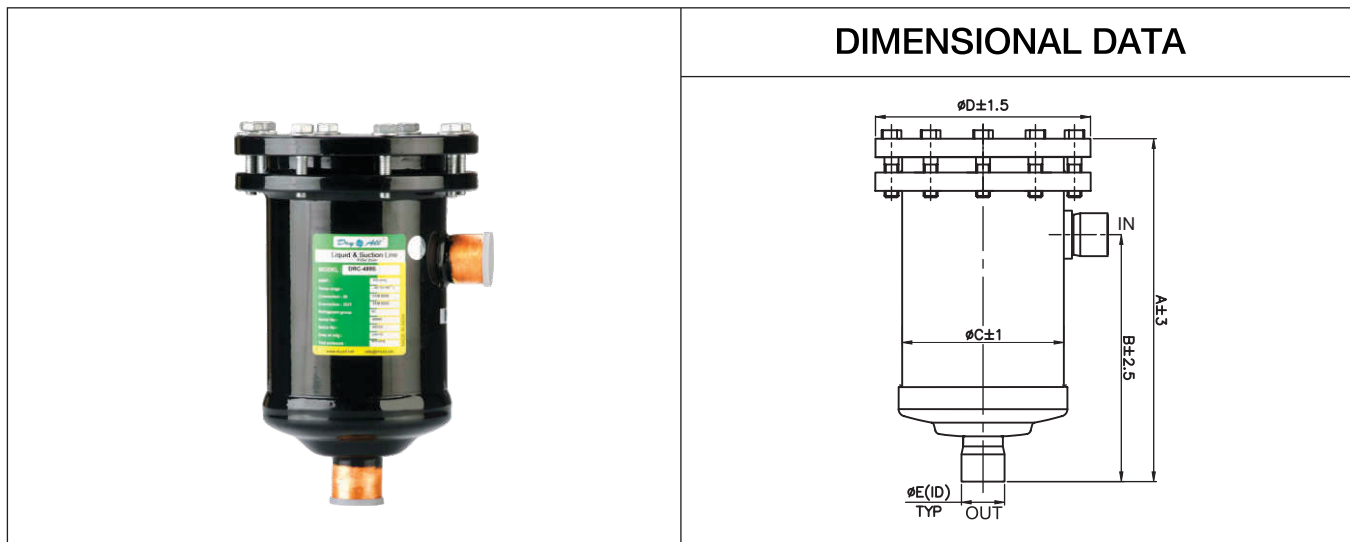


REPLACEABLE CORE SHELL

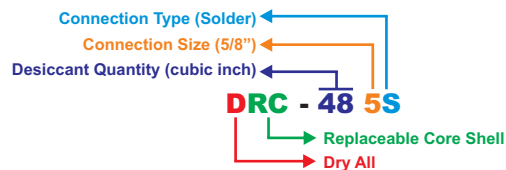


IMAGE, DRAWING & MODELS AVAILABLE



Sr. No.	Dryall Model No.	A		B		ϕC		D		Conn. Size (E) ID	QTY FOR CORES	Liquid Flow Capacity for R-22 Tons @psi
		(mm)	(inch)	(mm)	(inch)	(mm)	(inch)	(mm)	(inch)			
1	DRC - 485S	240	9.45	155	6.10	114	4.49	152	5.98	5/8"	1	21
2	DRC - 487S	242	9.53	157	6.18	114	4.49	152	5.98	7/8"	1	38
3	DRC - 489S	244	9.61	159	6.26	114	4.49	152	5.98	1-1/8"	1	53
4	DRC - 4811S	247	9.72	162	6.38	114	4.49	152	5.98	1-3/8"	1	61
5	DRC - 4813S	249	9.80	164	6.46	114	4.49	152	5.98	1-5/8"	1	85
6	DRC - 4817S	256	10.08	161	6.34	114	4.49	152	5.98	2-1/8"	1	120
7	DRC - 965S	372	14.65	297	11.69	114	4.49	152	5.98	5/8"	2	22
8	DRC - 967S	384	15.12	302	11.89	114	4.49	152	5.98	7/8"	2	41
9	DRC - 969S	389	15.31	304	11.97	114	4.49	152	5.98	1-1/8"	2	63
10	DRC - 9611S	392	15.43	307	12.09	114	4.49	152	5.98	1-3/8"	2	79
11	DRC - 9613S	394	15.51	309	12.17	114	4.49	152	5.98	1-5/8"	2	85
12	DRC - 9617S	400	15.75	305	12.01	114	4.49	152	5.98	2-1/8"	2	120
13	DRC - 9621S*	406.5	16.00	303.5	11.95	114	4.49	152	5.98	2-5/8"	2	97
14	DRC - 9624S	403	15.87	300	11.81	114	4.49	152	5.98	3"	2	68
15	DRC - 1449S	524	20.63	439	17.28	114	4.49	152	5.98	1-1/8"	3	51
16	DRC - 14411S	527	20.75	442	17.40	114	4.49	152	5.98	1-3/8"	3	88
17	DRC - 14413S	529	20.83	444	17.48	114	4.49	152	5.98	1-5/8"	3	97
18	DRC - 14417S	536	21.10	441	17.36	114	4.49	152	5.98	2-1/8"	3	112
19	DRC - 19211S	678	26.69	593	23.35	114	4.49	152	5.98	1-3/8"	4	94
20	DRC - 19213S	680	26.77	595	23.43	114	4.49	152	5.98	1-5/8"	4	103
21	DRC - 19217S	686	27.01	592	23.31	114	4.49	152	5.98	2-1/8"	4	115
22	DRC - 19221S*	692.5	27.26	589.5	23.21	114	4.49	152	5.98	2-5/8"	4	112
23	DRC - 19224S*	689	27.13	586	23.07	114	4.49	152	5.98	3"	4	117

- 1) MAXIMUM WORKING PRESSURE - 45 bar (653 psig)
- 2) TEMPERATURE RANGE : -40°C to +70°C
- 3) *MARK CONNECTION STEEL & NICKEL PLATED
- 4) 1/4" NPT CONNECTION IS AVAILABLE IN DRY ALL CORE SHELL



SUCTION LINE FILTER & REPLACEABLE FILTER DRIER CORE



IMAGES, DRAWINGS & MODELS AVAILABLE

DIMENSIONAL DATA

SERIES - 1

DRAWING - 1

SR NO.	MODEL NO.	DIMENSIONS						REFER DRAWING NO.
		A		B		C		
		mm	Inch	mm	Inch	mm	Inch	
SERIES 1 (REPLACABLE FILTER DRIER CORE)								
1	DA-48	95	3.74	140	5.51	60	2.36	1
2	DB-48	95	3.74	140	5.51	60	2.36	1
3	DC-48	95	3.74	140	5.51	60	2.36	1
4	DC-100	123	4.85	160	6.30	50	1.97	1

DIMENSIONAL DATA

SERIES - 2

SERIES - 3

DRAWING - 2

DRAWING - 3

SR NO.	MODEL NO.	DIMENSIONS						REFER DRAWING NO.
		A		B		C		
		mm	Inch	mm	Inch	mm	Inch	
SERIES 2 (SUCTION LINE FILTER)								
1	DPE-48-BD	90	3.54	140	5.51	65	2.56	2
2	DSS-48	95	3.54	140	5.51	NA	NA	3