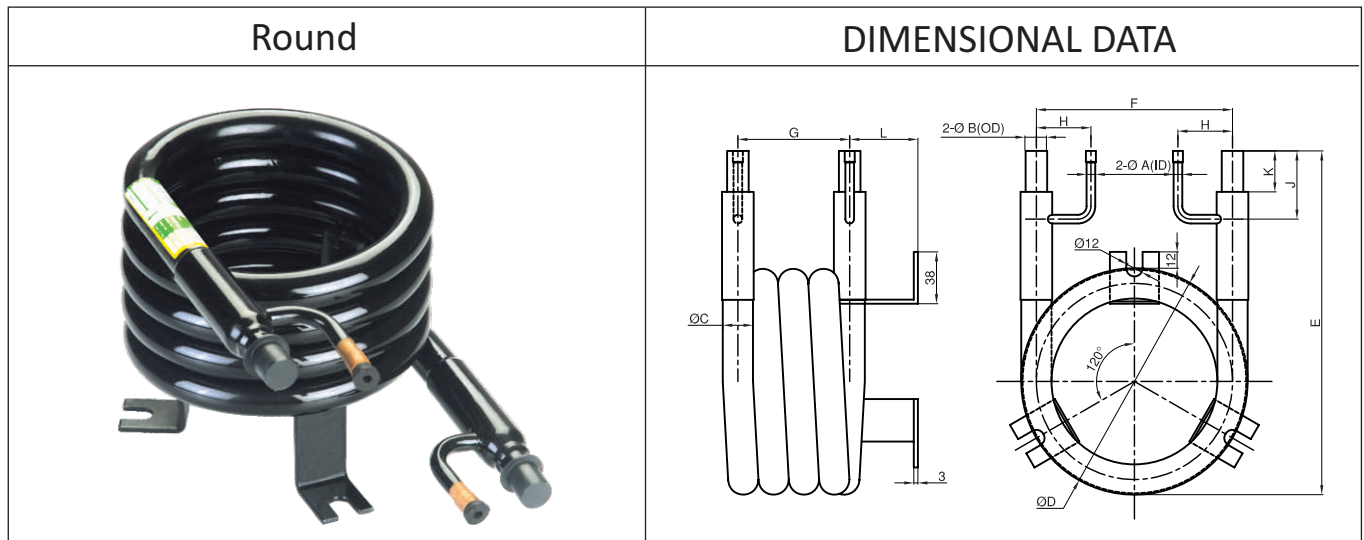
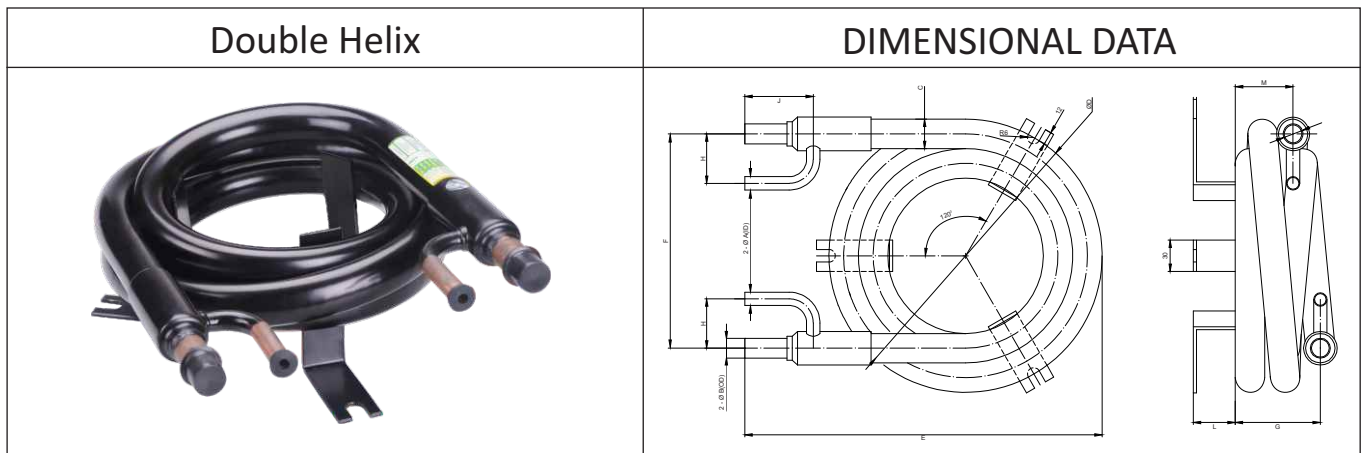


IMAGE, DRAWINGS & MODELS AVAILABLE



Model No.	Nom. Ton	Refrigerant Connection		Ø C"	Ø D		E		F		G		H		J		K		L	
		IN/OUT (I.D.) A	IN/OUT (O.D.) B		mm	inch	mm	inch	mm	inch	mm	inch	mm	inch	mm	inch	mm	inch	mm	inch
DA-COAX-0050GT	1/2	3/8"	5/8"	7/8"	166	6.54	252	9.92	146	5.75	59	2.32	40	1.57	50	1.97	30	1.18	50	1.97
DA-COAX-0055GT	3/4	3/8"	5/8"	7/8"	166	6.54	252	9.92	146	5.75	82	3.23	40	1.57	50	1.97	30	1.18	50	1.97
DA-COAX-0060GT	1	3/8"	5/8"	7/8"	166	6.54	252	9.92	146	5.75	106	4.17	40	1.57	50	1.97	30	1.18	50	1.97
DA-COAX-0075GT	1 1/2	3/8"	18mm	1"	248	9.76	340	13.39	230	9.06	94	3.70	50	1.97	50	1.97	30	1.18	50	1.97



Model No.	Nom. Ton	Refrigerant Connection		C	D		E		F		G		H		J		L		M	
		IN/OUT (I.D.) A	IN/OUT (O.D.) B		mm	inch	mm	inch	mm	inch	mm	inch	mm	inch	mm	inch	mm	inch	mm	inch
DA-COAX-0250GT-P	2	1/2"	3/4"	28	260	10.24	340	13.39	204	8.03	81	3.19	47	1.85	65	2.56	40	1.57	55	2.17
DA-COAX-0300GT-P	3	5/8"	7/8"	33	314	12.36	353	13.90	248	9.76	105	4.13	54	2.13	65	2.56	40	1.57	70	2.76
DA-COAX-0600GT-P	5	3/4"	1 1/8"	38	381	15.00	450	17.72	305	12.01	117	4.61	58	2.28	65	2.56	40	1.57	98	3.86

