

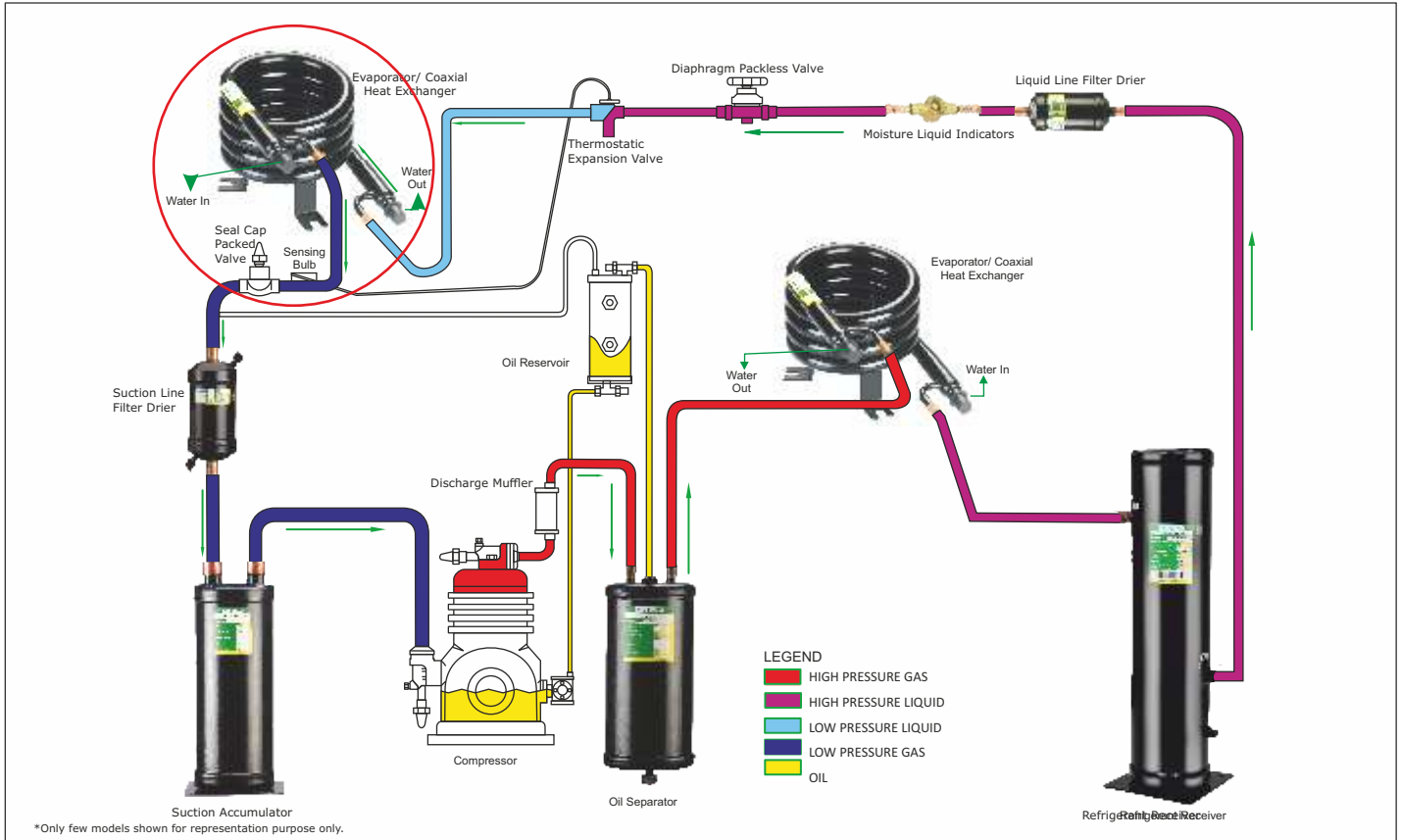
Dry All[®]

Full Range of HVAC&R Line Products



COAXIAL HEAT EXCHANGER

Fundamentals of Refrigeration Cycle

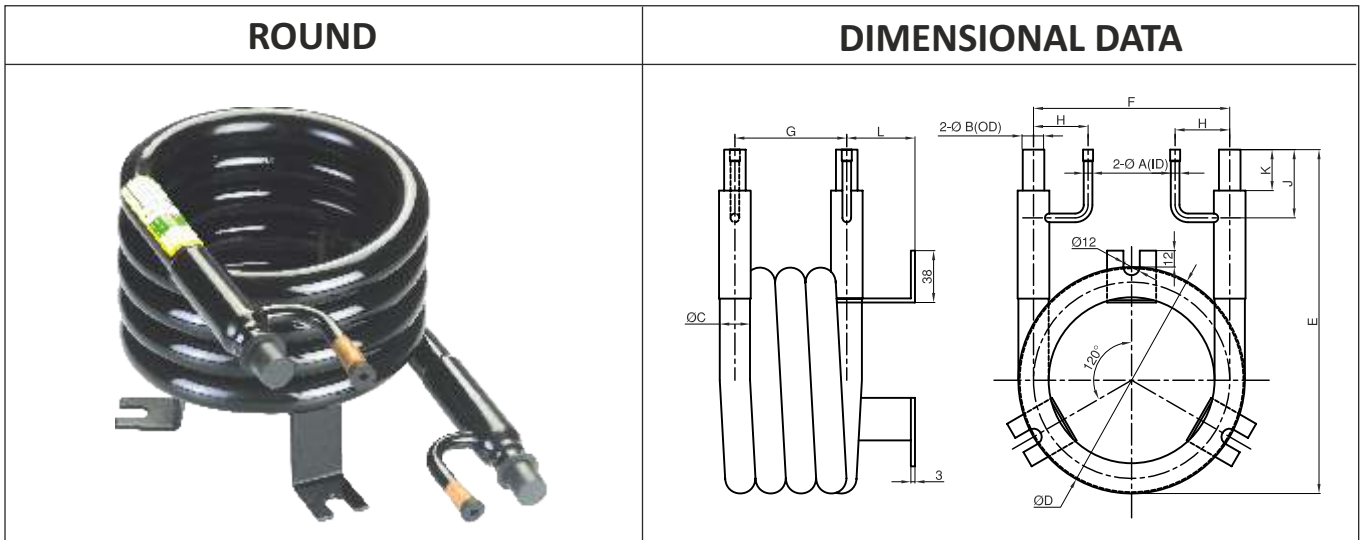


Dry All Coaxial Heat Exchangers are used as evaporators or as condensers. They consist of one or more inner tubes and one outer tube. This tube bundle is coiled in a spiral shape and brazed at the ends.

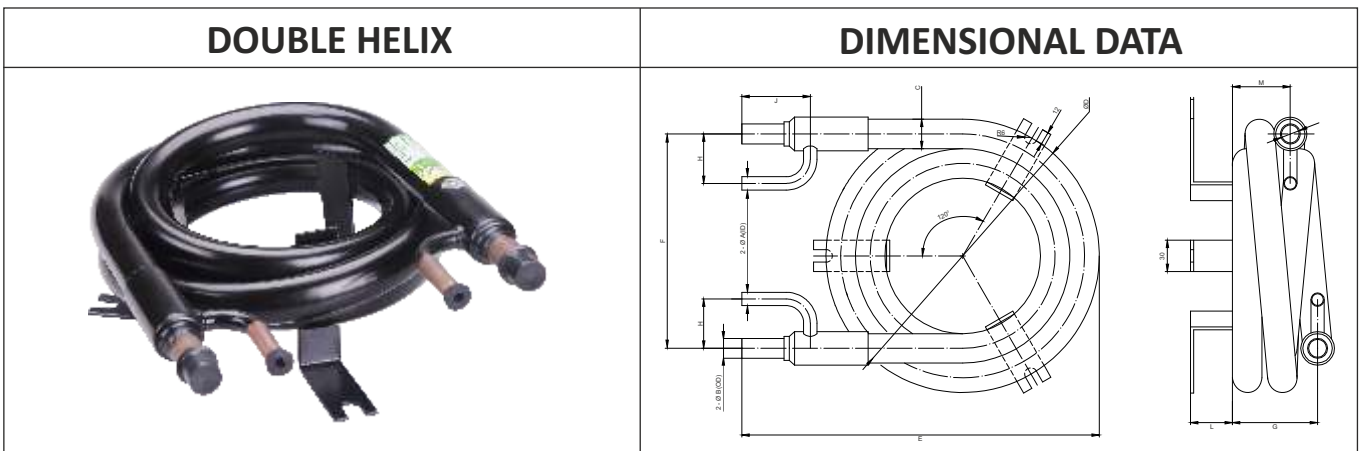
COAXIAL HEAT EXCHANGER



IMAGE, DRAWINGS & MODELS AVAILABLE



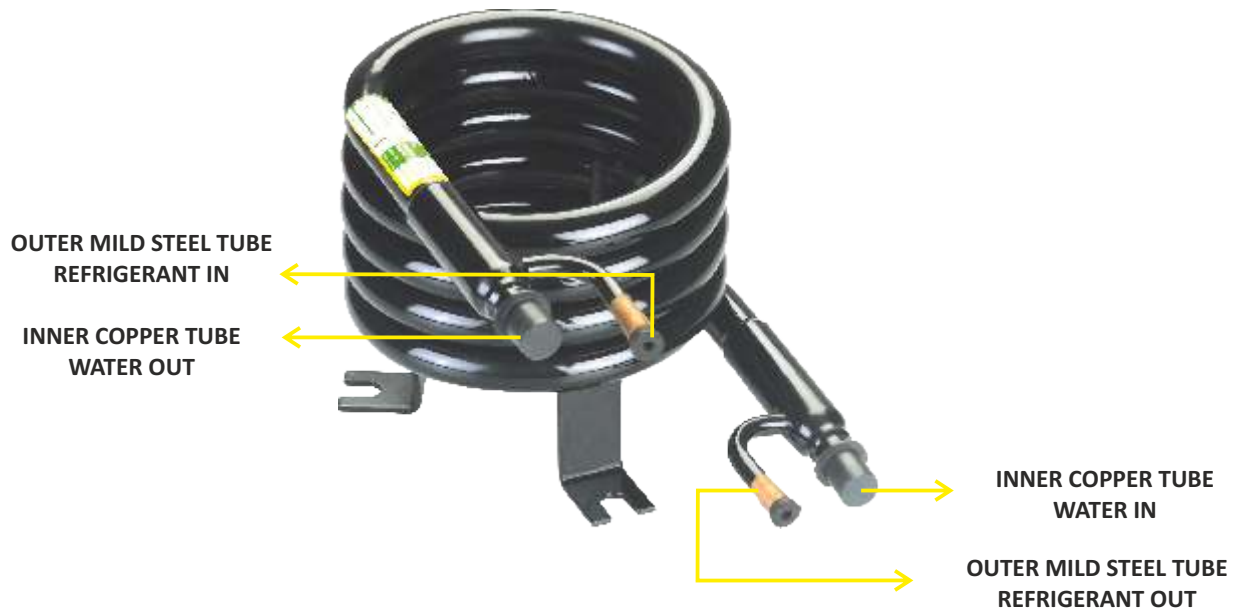
Model No.	Nom. Ton	Refrigerant Connection		Ø C"	Ø D		E		F		G		H		J		K		L	
		IN/OUT (I.D.) A	IN/OUT (O.D.) B		mm	inch	mm	inch	mm	inch	mm	inch	mm	inch	mm	inch	mm	inch	mm	inch
DA-COAX-0050GT	1/2	3/8"	5/8"	7/8"	166	6.54	252	9.92	146	5.75	59	2.32	40	1.57	50	1.97	30	1.18	50	1.97
DA-COAX-0055GT	3/4	3/8"	5/8"	7/8"	166	6.54	252	9.92	146	5.75	82	3.23	40	1.57	50	1.97	30	1.18	50	1.97
DA-COAX-0060GT	1	3/8"	5/8"	7/8"	166	6.54	252	9.92	146	5.75	106	4.17	40	1.57	50	1.97	30	1.18	50	1.97
DA-COAX-0075GT	1-1/2	3/8"	18mm	1"	248	9.76	340	13.39	230	9.06	94	3.70	50	1.57	50	1.97	30	1.18	50	1.97



Model No.	Nom. Ton	Refrigerant Connection		C	D		E		F		G		H		J		L		M	
		IN/OUT (I.D.) A	IN/OUT (O.D.) B		mm	inch	mm	inch	mm	inch	mm	inch	mm	inch	mm	inch	mm	inch	mm	inch
DA-COAX-0250GT-P	2	1/2"	3/4"	28	260	10.24	340	13.39	204	8.03	81	3.19	47	1.85	65	2.56	40	1.57	55	2.17
DA-COAX-0300GT-P	3	5/8"	7/8"	33	314	12.36	353	13.90	248	9.76	105	4.13	54	2.13	65	2.56	40	1.57	70	2.76
DA-COAX-0600GT-P	5	3/4"	1 1/8"	38	381	15.00	450	17.72	305	12.01	117	4.61	58	2.28	65	2.56	40	1.57	98	3.86



Co-Axial Heat Exchanger when Used as Condenser

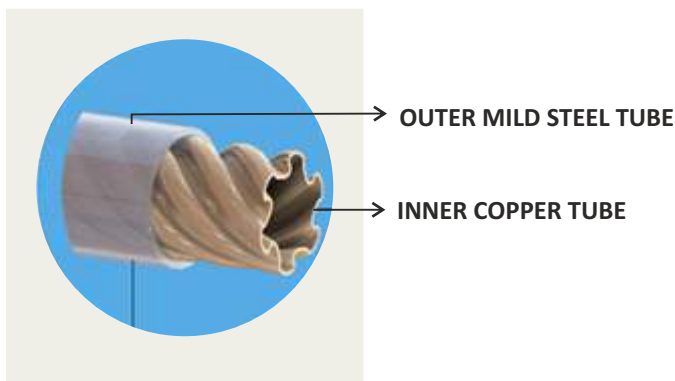


1. Outer Jacket made of mild steel through which refrigerant will flow
2. Inner Tube made of copper through which Liquid or water will flow.
3. Black powder coating for CHE gives corrosion resistance and glossy look.

We have different options to inner tube as per application :

- 1) Titanium as inner tube for sea water and Marine application.
- 2) Stainless Steel as inner tube for drinking water cooling or milk Chilling application.

Flutes :



SIDE VIEW



FRONT VIEW

	Inner Tube	Copper	HVAC , Heat Pump , Oil cooling and Heating , Water Cooling and Heating		
	Outer Tube	Mild Steel	Condenser		Evaporator
Sr. No.	Dry All Model	Capacity (KW)	Capacity (TR)	Capacity (KW)	Capacity (TR)
1	DA-COAX-0050GT	1.75	0.5	1.2	0.35
2	DA-COAX-0055GT	2.63	0.75	1.85	0.5
3	DA-COAX-0060GT	3.5	1	2.5	0.75
4	DA-COAX-0075GT	5.25	1.5	3.6	1
5	DA-COAX-0250GT-P	7	2	4.9	1.4
6	DA-COAX-0250GT-U	8.75	2.5	7	2
7	DA-COAX-0300GT-P	10.5	3	7	2
8	DA-COAX-0325GT-U	11	3.25	8.75	2.5
9	DA-COAX-0600GT-P	17.5	5	12.25	3.5
10	DA-COAX-0325GT-U-S	22	6.5	17.5	5

	Inner Tube	Titanium	Sea Water Application , Marine Application		
	Outer Tube	Mild Steel	Condenser		Evaporator
Sr. No.	Dry All Model	Capacity (KW)	Capacity (TR)	Capacity (KW)	Capacity (TR)
1	DA-COAX-0360GTi-F	12	3.5	-	-
2	DA-COAX-0420-GTi-U	14	4	-	-
3	DA-COAX-0270-GTi-F-S	20	5.75	-	-
4	DA-COAX-0375-GTi-U-S	25	7	-	-
5	DA-COAX-0420-GTi-U-S	28	8	-	-
6	DA-COAX-0600GT-P	14	4	-	-
7	DA-COAX-0650GT-W	25	7	-	-
8	DA-COAX-0600GT-P-S	28	8	-	-

	Inner Tube	Stainless Steel	Milk Chilling Application , Drinking water Application		
	Outer Tube	Mild Steel	Condenser		Evaporator
Sr. No.	Dry All Model	Capacity (KW)	Capacity (TR)	Capacity (KW)	Capacity (TR)
1	DA-COAX-0100GB-U	-	-	4	1.15
2	DA-COAX-0300GB-U	-	-	7	2
3	DA-COAX-0420GB-U	-	-	8.75	2.5
4	DA-COAX-0420GB-U	-	-	12	3.5
5	DA-COAX-0525GB-U	-	-	17.5	5
6	DA-COAX-0360GB-U-S	-	-	20	5.75

Sr. No.	Inner Tube	Copper	Water Side (Design temp. and Design Pressure)
	Outer Tube	Mild Steel	
	Dry All Model		Refrigerant Side (Design temp. and Design Pressure)
1	DA-COAX-0360GTi-F	Water 65C ,15 Bar	R134a ,100C ,30 Bar
2	DA-COAX-0420-GTi-U		
3	DA-COAX-0270-GTi-F-S		
4	DA-COAX-0375-GTi-U-S		
5	DA-COAX-0420-GTi-U-S		
6	DA-COAX-0600GT-P		
7	DA-COAX-0650GT-W		
8	DA-COAX-0600GT-P-S		

Sr. No.	Inner Tube	Titanium	Inner Tube (Design temp. and Pressure)
	Outer Tube	Mild Steel	
	Dry All Model		Outer Tube (Design temp. and Pressure)
1	DA-COAX-0050GT	Water 65 C, 15 Bar	R410A , 100 C , 42 Bar
2	DA-COAX-0055GT		
3	DA-COAX-0060GT		
4	DA-COAX-0075GT		
5	DA-COAX-0250GT-P		
6	DA-COAX-0300GT-P		
7	DA-COAX-0600GT-P		
8	DA-COAX-0250GT-U	Water 65C, 15 Bar	R134a , 100 C , 30 Bar
9	DA-COAX-0325GT-U	Water 65 C, 15 Bar	R134a , 100 C , 30 Bar
10	DA-COAX-0325GT-U-S	Water 65 C, 15 Bar	R410A , 100 C , 42 Bar

Sr. No.	Inner Tube	Stainless Steel	Inner Tube (Design temp. and Pressure)
	Outer Tube	Mild Steel	
	Dry All Model		Outer Tube (Design temp. and Pressure)
1	DA-COAX-0100GB-U	Water 65 C, 15 Bar	R134a , 100 C , 30 bar
2	DA-COAX-0300GB-U		
3	DA-COAX-0420GB-U		
4	DA-COAX-0420GB-U		
5	DA-COAX-0360GB-U-S		
6	DA-COAX-0525GB-U		R22 , 100 C , 30 bar

Dry All Co- Axial Heat Exchanger features :

1. **High Efficiency :**
The patented grooved inner tube generates more area and imparts turbulence to fluids in both channels to provide enhancement in heat transferring efficiency.
2. **High Service Life :**
Excellent welding joint with minimal welding points to decrease leaking; use copper for regular heat exchanger to contact with water; of which corrosion resistance ability is higher than steel and has longer service life.
3. **Safety and Anti Freezing :**
The multi lead structure of inner grooved tube provides water side with unsmooth undulating flow surface to protect heat exchanger from freezing and consequent damage.
4. **Cleanliness:**
The multi lead convoluted tube inhibits the accumulation of deposits on water flow surface, ensuring long-term stable running of heat exchanger.
5. **Corrosion Resistance :**
Black coated powder coating gives corrosion resistance to any corrosive atmosphere.

Application:

- 1) Water Source Heat Pump
- 2) Heat Recovery
- 3) HVAC&R
- 4) Water Coolers
- 5) Swimming Pool
- 6) Chillers
- 7) Cascade heat Exchanger in Multistage Refrigeration system

Engineering Support

DRY ALL provides excellent Engineering support.

For design or product selection assistance, please email us on sales@dryall.net or call us on Customer Care Toll Free No. 1800 120 1884.

Our team is ready to assist you in order to describe the product in details as well as answer your questions.