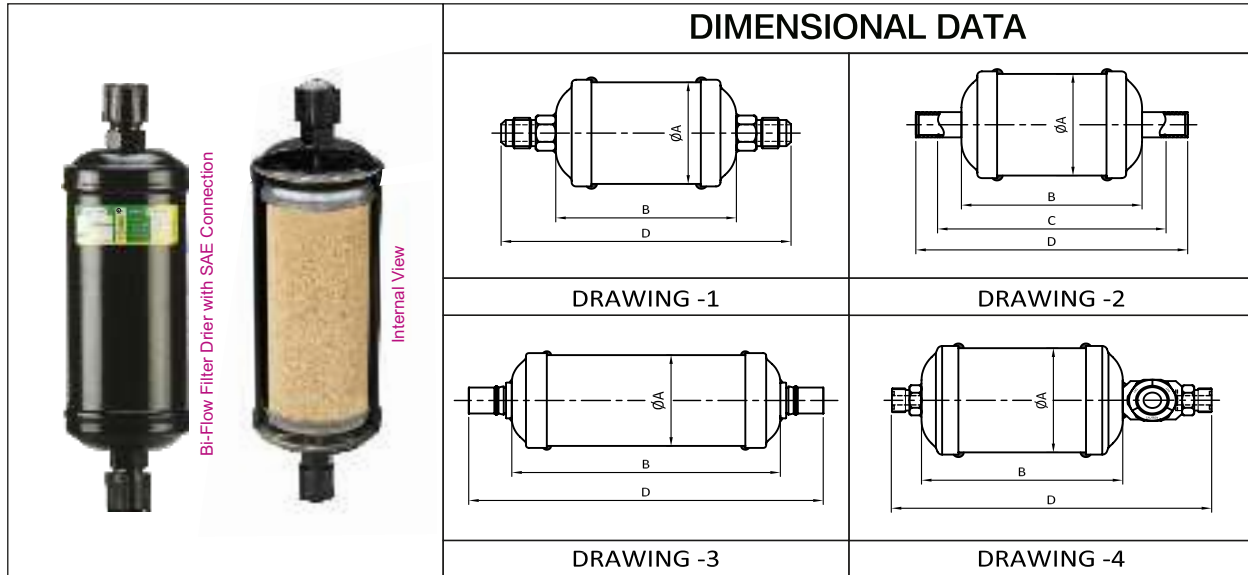


BI - FLOW FILTER DRIER DCHBF SERIES (BI - DIRECTION)

IMAGE, DRAWINGS & MODELS AVAILABLE

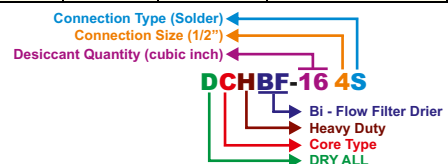


File No. SA33181



Sr No.	Model	Connection Type	Outer Dia Ø A		Body Length B		Stopper To Stopper Length C		Overall Length D		Refer Drawing No.				
			mm	Inch	mm	Inch	mm	Inch	mm	Inch					
1	DCHBF-052F	1/4" SAE	63.5	Ø 2.5	76	2.99	--	--	122	4.80	DRAWING - 1				
2	DCHBF-052S	1/4" ODF					106	4.17	126	4.96	DRAWING - 2				
3	DCHBF-053F	3/8" SAE					--	--	130	5.12	DRAWING - 1				
4	DCHBF-053S	3/8" ODF					102.3	4.03	126	4.96	DRAWING - 2				
5	DCHBF-082F	1/4" SAE	63.5	Ø 2.5	97	3.82	--	--	143	5.63	DRAWING - 1				
6	DCHBF-082S	1/4" ODF					127	5.00	147	5.79	DRAWING - 2				
7	DCHBF-083F	3/8" SAE					--	--	151	5.94	DRAWING - 1				
8	DCHBF-083S	3/8" ODF					123.3	4.85	147	5.79	DRAWING - 2				
9	DCHBFSG-083 ORN	3/8" 'O' RING	63.5	Ø 2.5	97	3.82	--	--	173	7.09	DRAWING - 4				
10	DCHBF-084F	1/2" SAE					--	--	157	6.18	DRAWING - 1				
11	DCHBF-084S	1/2" ODF					123.3	4.85	147	5.79	DRAWING - 2				
12	DCHBF-163F	3/8" SAE					76.2	Ø 3	117	4.61	--	--	171	6.73	DRAWING - 1
13	DCHBF-163S	3/8" ODF	143.3	5.64	167	6.57					DRAWING - 2				
14	DCHBF-164F	1/2" SAE	--	--	177	6.97					DRAWING - 1				
15	DCHBF-164S	1/2" ODF	143.3	5.64	167	6.57					DRAWING - 2				
16	DCHBF-165F	5/8" SAE	76.2	Ø 3	117	4.61	--	--	185	7.28	DRAWING - 1				
17	DCHBF-165S	5/8" ODF					143.3	5.64	167	6.57	DRAWING - 2				
18	DCHBF-303F	3/8" SAE					76.2	Ø 3	191	7.52	--	--	245	9.65	DRAWING - 1
19	DCHBF-303S	3/8" ODF									217.3	8.56	241	9.49	DRAWING - 2
20	DCHBF-304F	1/2" SAE	--	--	251	9.88					DRAWING - 1				
21	DCHBF-304S	1/2" ODF	217.3	8.56	241	9.49					DRAWING - 2				
22	DCHBF-305F	5/8" SAE	76.2	Ø 3	191	7.52	--	--	259	10.20	DRAWING - 1				
23	DCHBF-305S	5/8" ODF					217.3	8.56	241	9.49	DRAWING - 2				
24	DCHBF-306F	3/4" SAE					--	--	265	10.43	DRAWING - 1				
25	DCHBF-306S	3/4" ODF					217.3	8.56	241	9.49	DRAWING - 2				
26	DCHBF-307S*	7/8" ODF	76.2	Ø 3	191	7.52	221	8.70	265	10.43	DRAWING - 3				
27	DCHBF-309S*	1 1/8" ODF					221	8.70	275	10.83	DRAWING - 3				

- 1) Internal Assembly - Solid Core Type
- 2) Maximum Working Pressure - 45 bar (653 psig)
- 3) Temperature range -40°C to 70°C
- 4) SAE, ORFS & 'O' Ring Type Connection are in Steel, Nickel Plated
- 5) ODF Type Connection is in Steel & Nickel Plated
- 6) *Mark Connection Steel Plated



Manufactured by:

Dry & All

Full Range of HVAC&R Line Products

SAFE A&T Technology Private Limited

D-4, MIDC, Phase II, Dombivali (E),
Dist. Thane-421 201.

T : +91-(0)-251-2870680/81/82

M : +91-9619933838

Customer Care : +91 8181 994 994

E : info@dryall.net

W : www.dryall.net

REV23-01-07-00