

Dry All[®]

Full Range of HVAC&R Line Products



**Receiver Driers for Bus Air Conditioning
& Truck Refrigeration Systems**

Introduction

Dry All offers a wide range of 'Receiver Driers' designed specifically for Bus Air Conditioning and Truck Refrigeration Systems, designed to enhance the efficiency and reliability of Bus Air Conditioning and Truck Refrigeration Systems.

These Receiver Driers serves as a vital component on the high-pressure side of the HVAC&R cycle, positioned after the condenser and before the expansion valve. It acts as a filtering and receiving unit, ensuring optimum performance and safety to any HVAC&R systems.

Key Features

- 1. Filtering and Receiving Unit:** The Dry All Receiver Drier is a specialized Filter Drier integrated with the features of a Liquid Refrigerant Receiver. It receives and stores refrigerant from the condenser, allowing only 100% liquid refrigerant to pass further along the line to the expansion valve.
- 2. Dip Tube Design:** The receiver drier is equipped with a well-designed dip tube at the outlet, strategically positioned at the bottom of the receiver. This ensures that liquid refrigerant is consistently drawn from the lower section, maximizing the efficiency of the cooling process.
- 3. Desiccant Bed:** A desiccant bed is incorporated at the inlet of the receiver drier comprising of Molecular Sieves and Activated Alumina. Molecular Sieves takes care of the moisture in the system where as the activated alumina is for taking care of acids that may have formed in the system. This strategically placed bed ensures that all incoming refrigerant passes through it, effectively removing moisture and adsorbing any potential acidic contaminants, safeguarding the system from damage.
- 4. Standard and Customizable Models:** We offer some models ex-stock, adhering to our standard design. However, we also provide the flexibility for customization, allowing the Receiver Driers to be tailored to fit small and compact HVAC&R units, meeting specific customer requirements.

Advantages

- 1. Enhanced Cooling Efficiency:** The Dry All Receiver Drier plays a critical role in the HVAC&R system by ensuring that only liquid refrigerant reaches the expansion valve. This optimized flow results in enhanced cooling efficiency and better overall system performance.
- 2. Moisture and Acid Removal:** With its integrated desiccant bed, the Receiver Drier effectively removes moisture and acidic contaminants from the refrigerant. This helps prevent corrosion and damage to critical system components, prolonging the life of the cooling system.

- 3. Versatility and Customization:** Our product line offers both standard and customizable models, making it suitable for a wide range of HVAC&R applications in buses and trucks. The ability to tailor the Receiver Drier to specific design requirements ensures seamless integration into various system setups.
- 4. Reliability and Durability:** Crafted with precision and utilizing high-quality materials, Dry All Receiver Drier boasts exceptional reliability and durability. It is designed to withstand harsh environmental conditions, ensuring long-lasting performance and reduced maintenance costs.

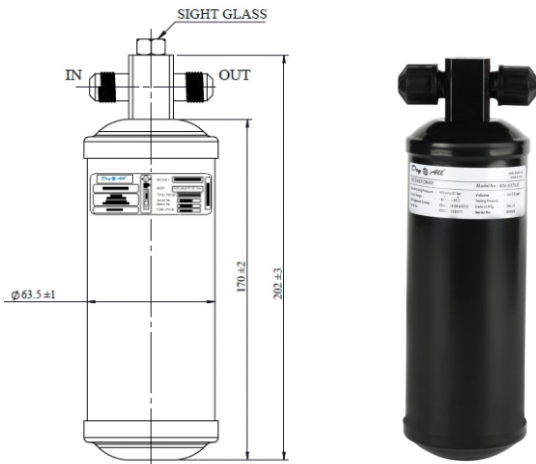
Applications

Dry All Receiver Drier finds extensive applications in the following areas:

- 1. Bus Air Conditioning Systems:** Our Receiver Drier ensures efficient cooling and moisture removal in bus air conditioning systems, providing passengers with a comfortable and pleasant journey.
- 2. Truck Refrigeration Systems:** For trucks transporting temperature-sensitive goods, our Receiver Drier plays a vital role in maintaining precise cooling and preventing refrigeration system breakdowns during long hauls.
- 3. Mobile HVAC Units:** The versatility of our product makes it suitable for various mobile HVAC units, such as refrigerated vans and other specialty vehicles, where cooling efficiency and moisture control are paramount.
- 4. Custom HVAC&R Units:** Our customizable Receiver Driers can be tailored to fit into small and compact HVAC&R units, catering to specific customer designs and ensuring seamless integration.

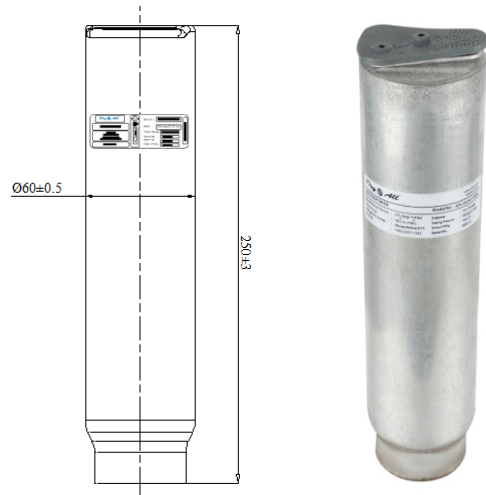
In conclusion, Dry All Receiver Driers for Bus Air Conditioning & Truck Refrigeration Systems are reliable and efficient component that guarantees optimum cooling performance and extended system life. With its innovative design and advanced features, it ensures the safe and smooth operation of HVAC&R systems in various applications.

RDV-25170-3F



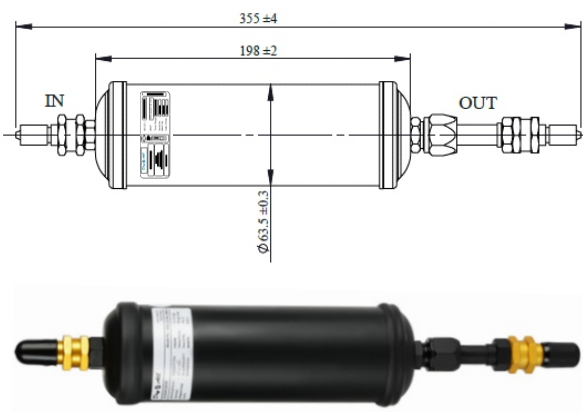
Drawing / Photo No.: 1

RDV-25250-10mm



Drawing / Photo No.: 2

RDH-25198-3ORN X 4ORN



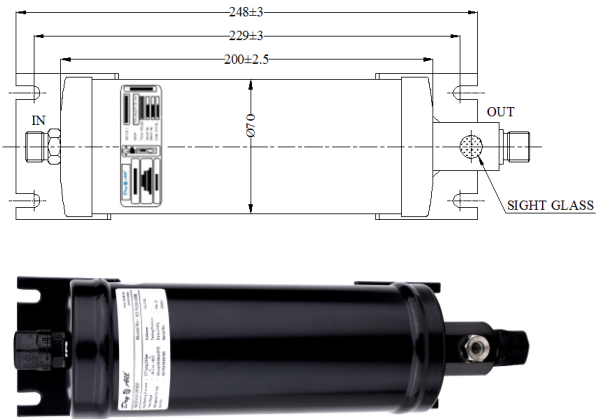
Drawing / Photo No.: 3

RDV-70175-3ORN



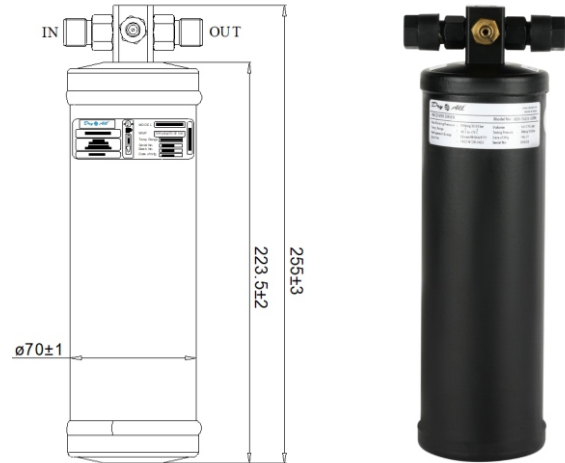
Drawing / Photo No.: 4

RD-70200-3ORN



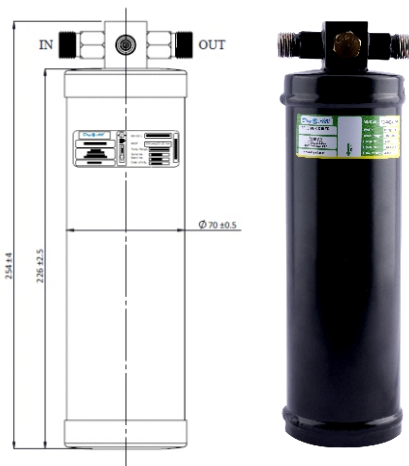
Drawing / Photo No.: 5

RDV-70223-3ORN



Drawing / Photo No.: 6

RD-70226-3ORN



Drawing / Photo No.: 7

RD-70260-3ORN

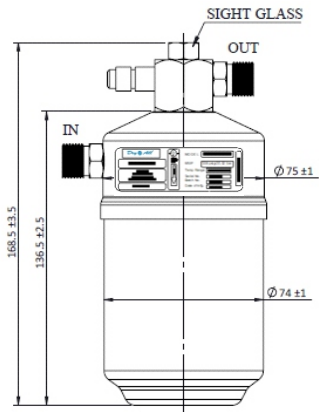


IMAGE
COMING SOON

Drawing / Photo No.: 8

Receiver Driers for Bus Air Conditioning & Truck Refrigeration Systems

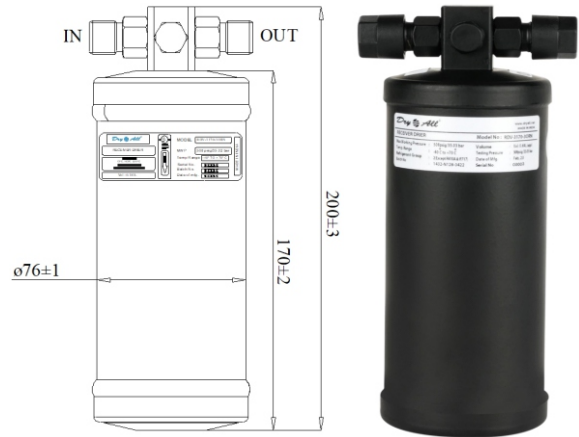
RD-3136-3ORN



**IMAGE
COMING SOON**

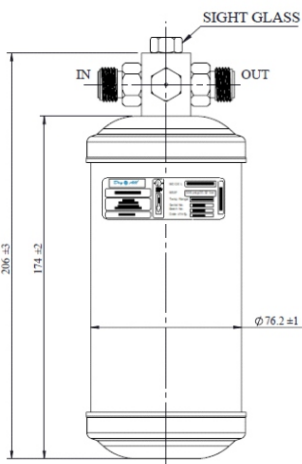
Drwg / Photo No.: 9

RDV-3170-3ORN



Drawing / Photo No.: 10

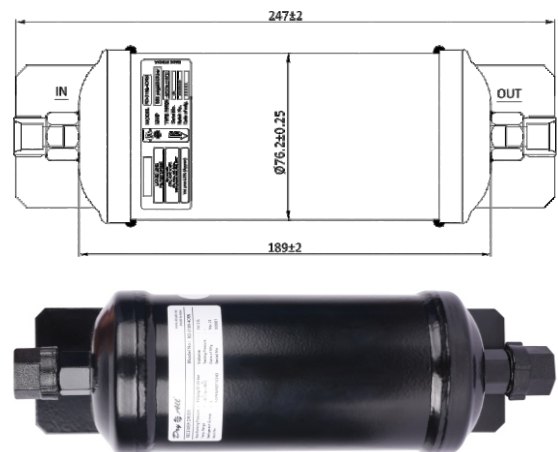
RD-3174-M16X1.5



**IMAGE
COMING SOON**

Drawing / Photo No.: 11

RD-3189-4ORN

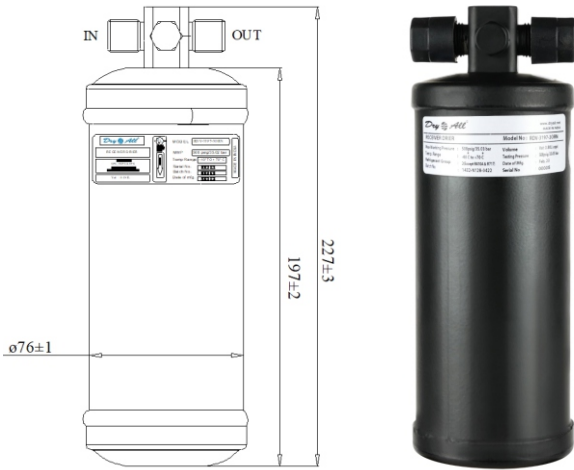


*Also Available in without Bracket

Drawing / Photo No.: 12

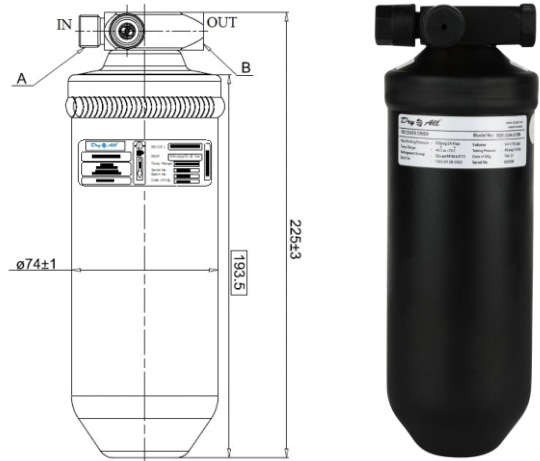
Receiver Driers for Bus Air Conditioning & Truck Refrigeration Systems

RDV-3197-3ORN



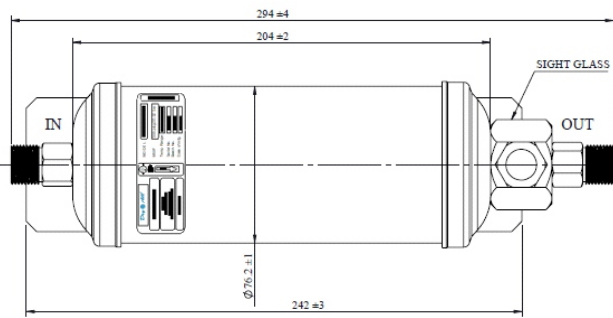
Drawing / Photo No.: 13

RDV-3204-3ORN



Drawing / Photo No.: 14

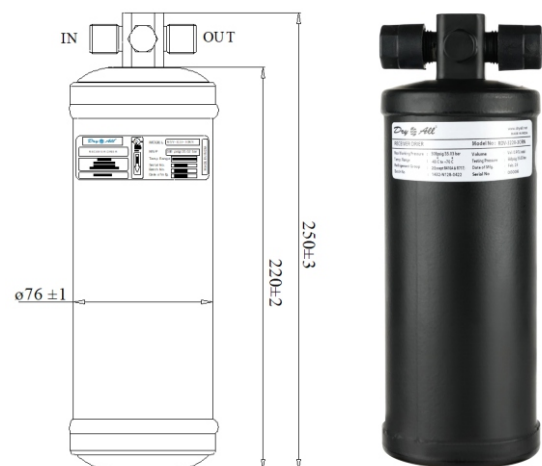
RD-3204-3ORN



**IMAGE
COMING SOON**

Drawing / Photo No.: 15

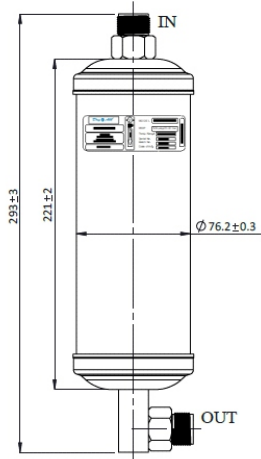
RDV-3220-3ORN



Drawing / Photo No.: 16

Receiver Driers for Bus Air Conditioning
& Truck Refrigeration Systems

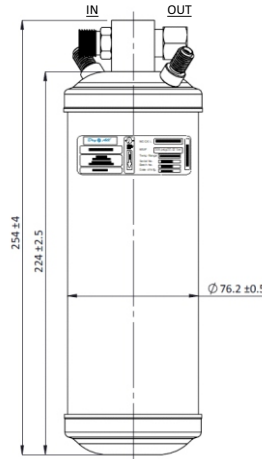
RD-3221-M22X1.5-L



**IMAGE
COMING SOON**

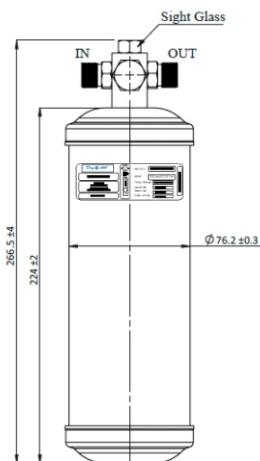
Drawing / Photo No.: 17

RD-3224-3ORN



Drawing / Photo No.: 18

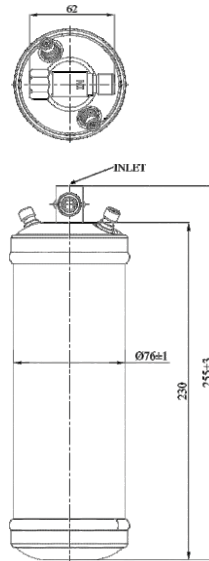
RD-3224-3ORN(SG)



**IMAGE
COMING SOON**

Drawing / Photo No.: 19

RDV-3230-3ORN



Drawing / Photo No.: 20

Receiver Driers for Bus Air Conditioning
& Truck Refrigeration Systems

RD-3239-3ORNFM

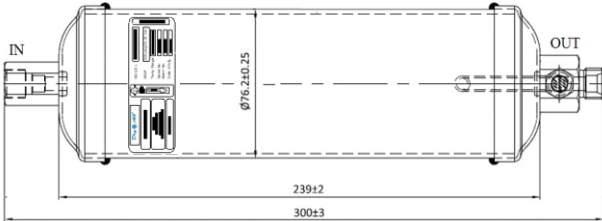


IMAGE
COMING SOON

Drawing / Photo No.: 21

RD-3260-3ORN

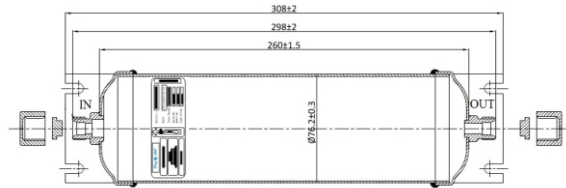


IMAGE
COMING SOON

Drawing / Photo No.: 22

RD-35195-4ORN

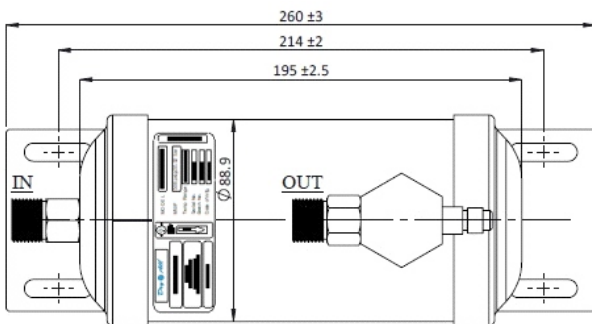


IMAGE
COMING SOON

Drawing / Photo No.: 23

RD-35211-3ORN

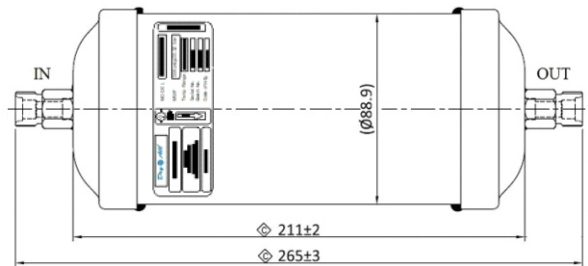
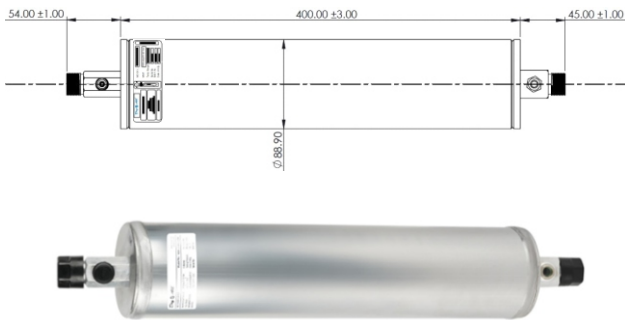


IMAGE
COMING SOON

Drawing / Photo No.: 24

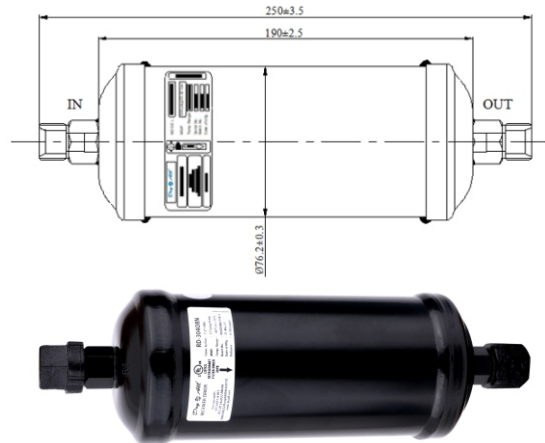
Receiver Driers for Bus Air Conditioning & Truck Refrigeration Systems

RDH-35400-5ORN



Drawing / Photo No.: 25

RD-304 ORN



Drawing / Photo No.: 26

RDV-4170-3SX3S



Drawing / Photo No.: 27

Connection Nomenclature

F	Flare Connection
S	Solder Connection
R	Rotolock Connection
ORN	O' Ring
RL	Rotolock 'L' Type
ORF	O' Ring Connection with Face Sealing

Receiver Driers for Bus Air Conditioning & Truck Refrigeration Systems



Models Available with Connection (Types & Sizes)

S/N	Model No.	Connection		Diameter		Body Length		Overall Length		Construction Material	Drawing/ Photo No.
		In	Out	mm	Inches	mm	inches	mm	Inches		
1	RDV-25170-3F	3/8" SAE Flare	3/8" SAE Flare	63.5	2.5	170	6.69	202	7.95	Mild Steel	1
2	RDV-25250-10mm	10mm Pad Connection	10mm Pad Connection	60	2.4	250	9.84		0.00	Aluminium	2
3	RDH-25198-3ORN X4ORN	3/8" Male ORN	1/2" Male ORN	63.5	2.5	198	7.80	355	13.98	Mild Steel	3
4	RDV-70175-3ORN	3/8" Male ORN	3/8" Male ORN	70	2.7	175	6.89	205	8.07	Mild Steel	4
5	RD-70200-3ORN	3/8" Male ORN	3/8" Male ORN	70	2.7	200	7.87	271	10.67	Mild Steel	5
6	RDV-70223-3ORN	3/8" Male ORN	3/8" Male ORN	70	2.7	223	8.78	255	10.04	Mild Steel	6
7	RD-70226-3ORN	3/8" Male ORN	3/8" Male ORN	70	2.7	226	8.90	254	10.00	Mild Steel	7
8	RD-70260-3ORN	3/8" Male ORN	3/8" Male ORN	70	2.7	260	10.24	308	12.13	Mild Steel	8
9	RD-3136-3ORN	3/8" Male ORN	3/8" Male ORN	76.2	3.0	136	5.35	168	6.61	Mild Steel	9
10	RDV-3170-3ORN	3/8" Male ORN	3/8" Male ORN	76	3.0	170	6.69	200	7.87	Mild Steel	10
11	RD-3174-M16X1.5	M16 X 1.5P Connection	M16 X 1.5P Connection	76.2	3.0	174	6.85	206	8.11	Mild Steel	11
12	RD-3189-4ORN	1/2" Male ORN	1/2" Male ORN	76.2	3.0	189	7.44	249	9.80	Mild Steel	12
13	RDV-3197-3ORN	3/8" Male ORN	3/8" Male ORN	76	3.0	197	7.76	227	8.94	Mild Steel	13
14	RDV-3204-3ORN	3/8" Male ORN	3/8" Male ORN	74	2.9	204	8.03	225	8.86	Mild Steel	14
15	RD-3204-3ORN	3/8" Male ORN	3/8" Female ORN	76.2	3.0	204	8.03	294	11.57	Mild Steel	15
16	RDV-3220-3ORN	3/8" Male ORN	3/8" Male ORN	76	3.0	220	8.66	250	9.84	Mild Steel	16
17	RD-3221-M22X1.5-L	M22 X 1.5P Connection	M22 X 1.5P Connection	76.2	3.0	221	8.70	293	11.54	Mild Steel	17
18	RD-3224-3ORN	3/8" Male ORN	3/8" Female ORN	76.2	3.0	224	8.82	254	10.00	Mild Steel	18
19	RD-3224-3ORN(SG)	3/8" Male ORN	3/8" Male ORN	76.2	3.0	224	8.82	266	10.47	Mild Steel	19
20	RDV-3230-3ORN	3/8" Male ORN	3/8" Female ORN	76	3.0	230	9.06	255	10.04	Mild Steel	20
21	RD-3239-3ORNF	3/8" Female ORN	3/8" Male ORN	76.2	3.0	239	9.41	300	11.81	Mild Steel	21
22	RD-3260-3ORN	3/8" Male ORN	3/8" Male ORN	76.2	3.0	260	10.24	308	12.13	Mild Steel	22
23	RD-35195-4ORN	1/2" Male ORN	1/2" Male ORN	88.9	3.5	195	7.68	260	10.24	Mild Steel	23
24	RD-35211-3ORN	3/8" Male ORN	3/8" Male ORN	88.9	3.5	211	8.31	265	10.43	Mild Steel	24
25	RDH-35400-5ORN	5/8" Male ORN	5/8" Male ORN	89	3.5	400	15.75	500	19.69	Aluminium	25
26	RD-304ORN	1/2" Male ORN	1/2" Male ORN	76.2	3.0	190	7.48	250	9.84	Mild Steel	26
27	RDV-4170-3Sx3S	3/8" ODF	3/8" ODF	100	3.9		0.00	172	6.77	Mild Steel	27

Receiver Driers for Bus Air Conditioning & Truck Refrigeration Systems



Available Models

SR. NO.	CROSS REFERENCE	MODEL NO.	CONNECTION SIZE
VERTICAL RECEIVER DRIER			
1	Volvo RDHRD5111880P	RDV-3230-3ORN	3/8" ORN
2	Red Dot Part No.: 74R1866, IHC-Navistar Part No.: 1691601C91	RDV-70223-3ORN	3/8" ORN
3	Open Market	RDV-3170-3ORN	3/8" ORN
4	Toyota Supra (93-87)89 - 92 TOYOTASUPRA	RDV-70175-3ORN	3/8" ORN
5	Open Market	RDV-3197-3ORN	3/8" ORN
6	Open Market	RDV-3220-3ORN	3/8" ORN
7	Scania OE Reference Number: 1772730, 133545	RDV-4170-3Sx3S	3/8" Bead Type
8	Volvo Truck	RDV-3204-3ORN	3/8" ORN
9	Open Market	RDV-25250-10mm	10mm Pan
10	Open Market	RD-25170-3F	3/8" SAE
11	Open Market	RD-3136-3ORN	3/8" ORN
12	Open Market	RD-3174-M16X1.5	M16X1.5
13	Open Market	RD-3224-3ORN	3/8" ORNM X 3/8" ORNF
14	Open Market	RD-70226-3ORN	3/8" ORN
15	Open Market	RD-3221-M22X1.5-L	M22X1.5
16	Open Market	RD-3224-3ORN(SG)	3/8" ORN
HORIZONTAL RECEIVER DRIER			
17	Open Market	RDH-35400-5ORN	5/8" ORN
18	RD-5-14094-0P, Caterpillar 3E-3535	RDH-25198-3ORN X 4ORN	3/8" ORN X 1/2" ORN
19	Open Market	RD-304ORN	1/2" ORN
20	Open Market	RD-3189-4ORN	1/2" ORN
21	Open Market	RD-3239-3ORNFM	3/8" ORNF X 3/8" ORNM
22	Open Market	RD-3260-3ORN	3/8" ORN
23	Open Market	RD-70200-3ORN	3/8" ORN
24	Open Market	RD-70260-3ORN	3/8" ORN
25	Open Market	RD-35195-4ORN	1/2" ORN
26	Open Market	RD-35211-3ORN	3/8" ORN
27	Open Market	RD-3204-3ORN	3/8" ORN

Manufactured by:



Full Range of HVAC&R Line Products

SAFE A&T Technology Private Limited

D-4, MIDC, Phase II, Dombivali (E),

Dist. Thane-421 201.

T : +91-(0)-251-2870680/81/82

M : +91-9619933838

Customer Care : +91 8181 994 994

E : info@dryall.net

W : www.dryall.net

REV23-03-02-00