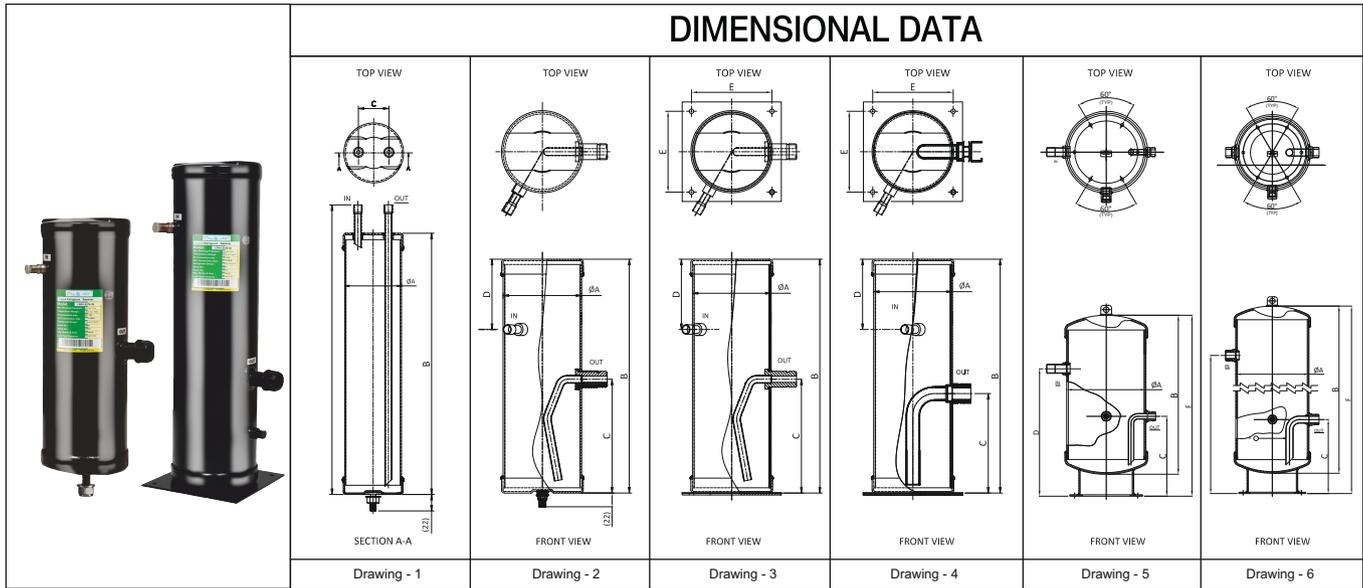


LIQUID REFRIGERANT RECEIVER (VERTICAL)

IMAGES, DRAWINGS & MODELS AVAILABLE



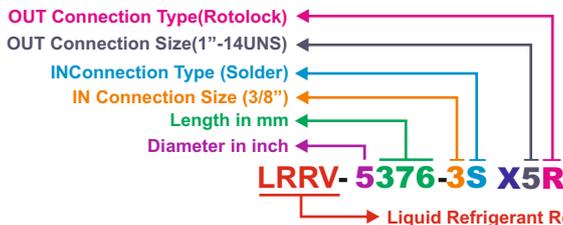
No.	Model No.	Internal Volume Capacity (Liters)*	Pump Down Capacity (KG)	Connection		Dimension								Mounting Option	Refer Drawing No.	Liquid Indicator	Inbuilt Fusible Plug			
				Inlet	Outlet	Ø A		B		C		D						E		
						mm	inch	mm	inch	mm	inch	mm	inch					mm	inch	
UL LISTED																				
1	LRRV-3350-3SX3S	1.4	1.4	3/8" ODF (COPPER)	3/8" ODF (COPPER)	76.2	3	350	13.78	41	1.62	NA	NA	NA	NA	M8 X1.25 Bolt & Nut	1	Not Applicable		
2	LRRV-3482-3SX3S	1.9	2.0					482	18.87			175	6.88						80	3.14
3	LRRV-5296-3SX5R	3.3	2.7					296	11.65										60	2.36
4	LRRV-5376-4SX5R	4.3	3.5	1/2" ODF (COPPER)	127	5	376	14.81	183	7.20	74	2.91	NA	NA	M10 X 1.5 Bolt & Nut	2	Not Applicable			
5	LRRV-5456-4SX5R	5.2	4.3				456	17.96										86	3.38	
6	LRRV-5536-4SX5R	6.1	5.0	5/8" ODF (COPPER)	152.4	6	536	21.11	160	6.29	106	4.17	130	5.12	Square Flange	3	Not Applicable			
7	LRRV-5566-5SX5R	6.4	5.3				566	22.28			111	4.37								
8	LRRV-6465-4SX5R	7.4	6.1	1/2" ODF (COPPER)	1" -14 UNS		465	18.31			93	3.66				4	Yes			
9	LRRV-6526-5SX5R	8.4	6.9				526	20.71			106	4.17								
10	LRRV-6587-5SX5R	9.5	7.7	5/8" ODF (COPPER)			587	23.12			117	4.60								
11	LRRV-6648-5SX5R	10.4	8.6				648	25.52			128	5.03								
12	LRRV-6709-5SX5R	11.4	9.4	7/8" ODF (COPPER)	1-1/4"-12 UNF		709	27.92			139	5.47								
13	LRRV-6770-7SX7R	12.4	10				770	30.32			150	5.90								

Note:
MWP for above Receivers with UL is 450 Psig.
Can be custom built with MWP as 653 Psig
Fusible relief temperature = 221°C

NON UL LISTED																			
14	LRRV-8446-7SX5R(F)	15	10.3	7/8" ODF (COPPER)	1"-14 UNS	219	8	446	17.56	224	8.82	357	14.06	NA	NA	Round Flange	5	Available	No
15	LRRV-8530-7RX7R(F)	17.8	13.0					530	20.87			441	19.09						
16	LRRV-8588-7RX7R(F)	19.9	15.1	1-1/4"-12 UNF	1-1/4"-12 UNF			588	23.15			499	19.65						
17	LRRV-8732-7RX7R(F)	24.8	20.2					732	28.82			643	25.31						

Note:
Maximum working pressure: 600 psig
Design temperature: -10° C to 100° C
*Capacity mentioned as per ARI-495 @32°C

Rotolock	Sizes Available :
1 - 14 UNS	3/8", 1/2", 5/8", 7/8"
1 1/4"-12 UNF	5/8", 3/4", 7/8", 1 1/8"



Manufactured by:



Full Range of HVAC&R Line Products

SAFE A&T Technology Private Limited

D-4, MIDC, Phase II, Dombivali (E),

Dist. Thane-421 201.

T : +91-(0)-251-2870680/81/82

M : +91-9619933838

Customer Care : +91 8181 994 994

E : info@dryall.net

W : www.dryall.net

REV23-04-03-00