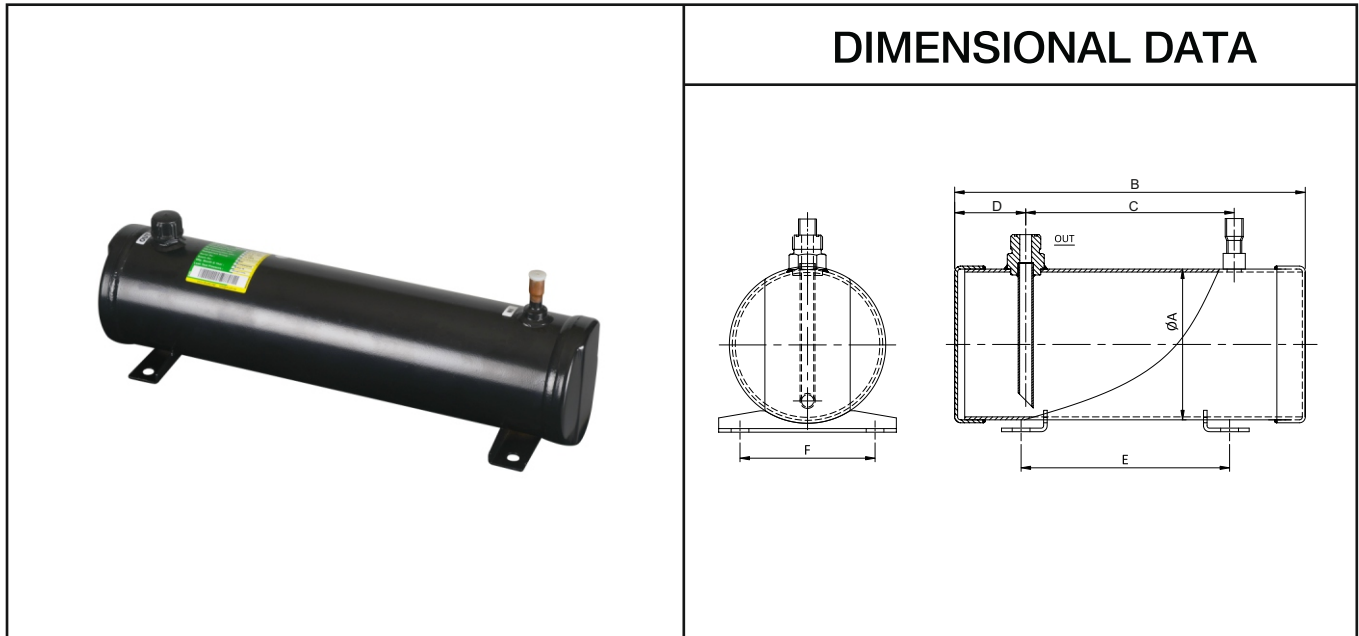


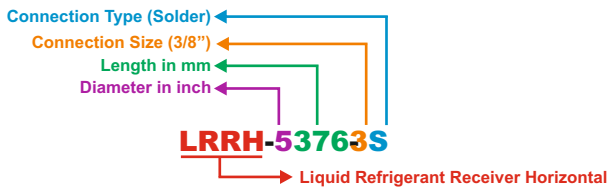
# LIQUID REFRIGERANT RECEIVER (HORIZONTAL)

IMAGE, DRAWING & MODEL AVAILABLE



Sr. No.	Model No.	Internal Volume Capacity Liters	Pump Down Capacity (Kg)	Suggested Connection Sizes		Dimensions										Mounting Options	Refer Drawing No.	1/4" NPT Connections								
						ØA		B		C		D		E					F							
						mm	inch	mm	inch	mm	inch	mm	inch	mm	inch				mm	inch						
1	LRRH - 5296-3S	3	3	3/8" ODF	1"-14 UNS	127	5	296	11.66	176	6.93	60	2.36	176	6.93	114	4.48	MOUNTING BRACKET WITH Ø15mm HOLES X 4nos.	H1	CR						
2	LRRH - 5376-3S	4	4					376	14.81	256	10.08			256	10.08											
3	LRRH - 5456-3S	5	5					456	17.96	336	13.23			336	13.23											
4	LRRH - 5536-3S	6	6					536	21.11	416	16.37			416	16.37											
5	LRRH - 5566-4S	6	7					566	21.88	436	17.16			436	17.16											
6	LRRH - 6465-4S	7	8	1/2" ODF	1"-14 UNS	127	5	465	18.31	345	13.58	60	2.36	345	13.58	114	4.48				MOUNTING BRACKET WITH Ø15mm HOLES X 4nos.	H1	CR			
7	LRRH - 6526-4S	8	9					526	21.71	406	15.98			406	15.98											
8	LRRH - 6587-4S	9	10					587	23.12	467	18.38			467	18.38											
9	LRRH - 6648-5S	10	11					648	25.52	528	20.78			528	20.78											
10	LRRH - 6709-5S	11	12					709	27.92	589	23.18			589	23.18											
11	LRRH - 6770-5S	12	13	5/8" ODF	1-1/4"-12 UNF	152.4	6	770	30.32	650	25.59	60	2.36	650	25.59	140	5.53							MOUNTING BRACKET WITH Ø15mm HOLES X 4nos.	H1	CR
12	LRRH - 6800-5S	13	13					800	31.49	680	26.77			680	26.77											

\*Receiver with NPT Connection are also provided as per Customer Requirement  
 Maximum working pressure: 450 psig  
 Design temperature: -10° C to 100° C



Manufactured by:



Full Range of HVAC&R Line Products

**SAFE A&T Technology Private Limited**

D-4, MIDC, Phase II, Dombivali (E),

Dist. Thane-421 201.

T : +91-(0)-251-2870680/81/82

M : +91-9619933838

Customer Care : +91 8181 994 994

E : [info@dryall.net](mailto:info@dryall.net)

W : [www.dryall.net](http://www.dryall.net)

REV23-04-04-00