

Dry All[®]

Full Range of HVAC&R Line Products



**Liquid Refrigerant Bi-Flow Receivers
Horizontal**

Introduction

Dry All Liquid Refrigerant Receivers (Bi Flow) are designed specifically for Heat Pumps and Reverse Cycle Applications. These receivers are crucial components that play a significant role in managing excess liquid refrigerant within the system. Available in both vertical and horizontal designs, our receivers are UL certified, ensuring the highest standards of safety and performance.

With a wide range of volume capacities, diameter options, and connection sizes, Dry All Liquid Refrigerant Receivers cater to various system configurations, providing flexible solutions for different heat pump and reverse cycle applications. Whether you need a compact 1-liter receiver or a larger 50-liter capacity, we have the perfect fit for your specific needs.

Key Features

- 1. Wide Capacity Range:** Dry All receivers are available in a comprehensive capacity range, starting from 1 liter and going up to 50 liters, allowing you to choose the most suitable size based on your system's refrigerant needs.
- 2. Multiple Options:** With both vertical and horizontal designs, Dry All Liquid Refrigerant Receivers offer flexibility in installation, accommodating various space constraints and system layouts. Additionally, you have the option to choose receivers with or without Rotolock valve connections, depending on your system's specifications.
- 3. Diverse Connection Choices:** These receivers support different connection sizes, ranging from 1/4" to 2-1/8", and connection types like Flare, Braze, and Rotolock, making them compatible with a wide range of heat pump and reverse cycle setups.
- 4. High Working Pressure:** Built to withstand the demands of refrigeration and air conditioning systems, Dry All Liquid Refrigerant Receivers have a maximum working pressure of 45 Bar, ensuring their durability and reliability in challenging conditions.
- 5. Safety Accessories:** To further enhance system safety, these receivers can be equipped with accessories such as /liquid indicator /sight glass and fusible plugs. The sight glass allows easy visual inspection of refrigerant levels, while the fusible plug acts as an additional safety measure by releasing excess pressure in case of emergencies.
- 6. Customization Options:** Different applications may require specific capacities and configurations. Dry All Liquid Refrigerant Receivers can be custom-designed and manufactured to meet your unique requirements, ensuring the perfect fit and functionality for your heat pump or reverse cycle system.

Advantages

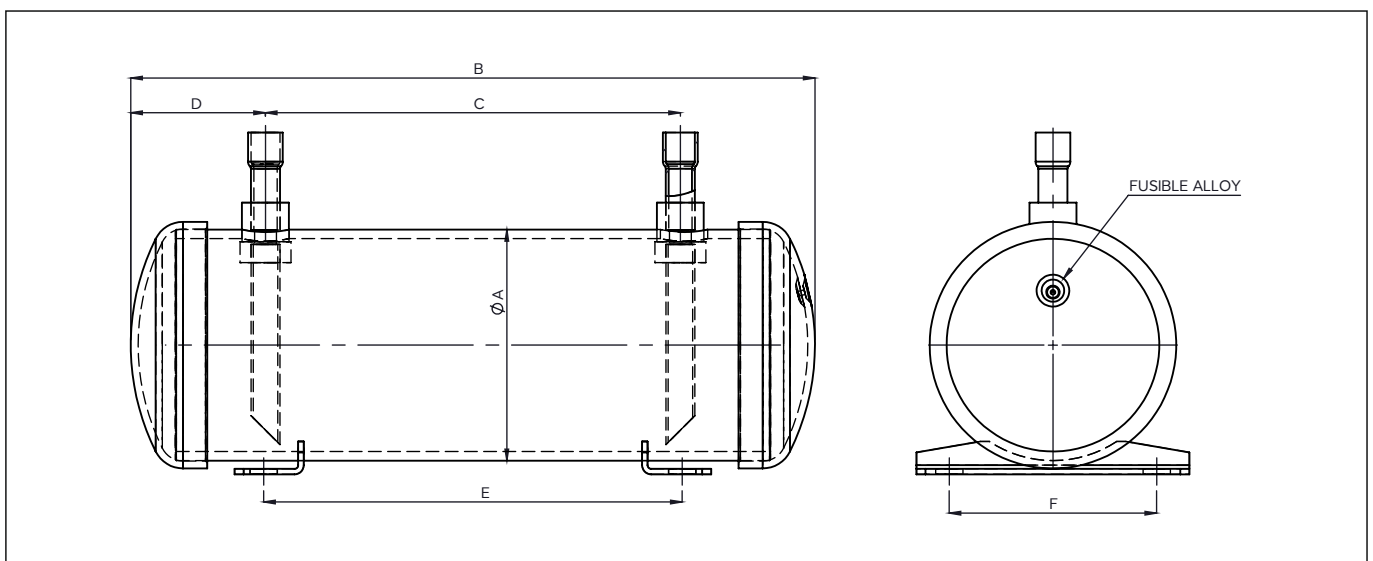
- 1. Efficient Liquid Management:** Dry All Liquid Refrigerant Receivers act as storage vessels for excess liquid refrigerant, preventing it from backing up into the condenser coil. This efficient liquid management ensures optimal system performance and reduces strain on the condenser.
- 2. Pump Down Support:** During pump-down cycles, the Dry All receiver acts as a holding tank for liquid refrigerant, preventing it from entering unwanted areas and aiding in the smooth operation of the system.
- 3. Enhanced System Performance:** By maintaining a stable liquid refrigerant supply, Dry All receivers help maximize the efficiency and overall performance of heat pump and reverse cycle systems, leading to energy savings and improved operation.

Applications

Dry All Liquid Refrigerant Receiver (Bi Flow) finds extensive applications in the following areas:

- 1. Heat Pumps:** Our Liquid Refrigerant Receivers are indispensable components in heat pump systems, ensuring efficient refrigerant management during heating and cooling cycles, enhancing system reliability, and promoting optimal heat transfer.
- 2. Reverse Cycle Applications:** Whether in residential or commercial settings, our receivers are essential for reverse cycle applications, where the heat pump switches between heating and cooling modes. The receivers provide a stable liquid refrigerant supply, contributing to smooth transitions and consistent performance.

Drawing



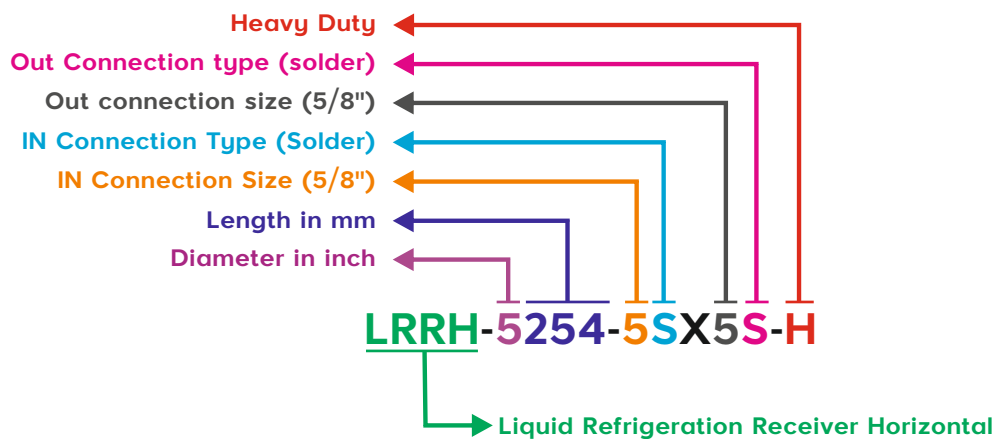
Liquid Refrigerant Bi-Flow Receivers Horizontal



Models Available with Connection (Types & Sizes)

S/N	MODEL NO.	Volume (Litres)	CONNECTION SIZE	Dimensions											
				ØA		B		C		D		E		F	
				mm	inch	mm	inch	mm	inch	mm	inch	mm	inch	mm	inch
UL Listed															
1	LRRH-5296-5SX5S-H	3	5/8" ODF	127.00	5.00	254.00	10.00	142.00	5.59	56	2.20	142.00	5.59	114	4.49
2	LRRH-5376-5SX5S-H	4				376.00	14.80	224.00	8.82	76	2.99	224.00	8.82		
3	LRRH-5456-5SX5S-H	4.6				456.00	17.95	302.00	11.89	77	3.03	302.00	11.89		
4	LRRH-5536-5SX5S-H	5.5				536.00	21.10	383.00	15.08	76.5	3.01	383.00	15.08		
5	LRRH-6465-5SX5S-H	7	7/8" ODF	152.40	6.00	457.00	17.99	306.00	12.05	75.5	2.97	306.00	12.05	140	5.51
6	LRRH-6587-7SX7S-H	9				587.00	23.11	428.00	16.85	79.5	3.13	428.00	16.85		
7	LRRH-6648-7SX7S-H	10				648.00	25.51	494.00	19.45	77	3.03	494.00	19.45		
8	LRRH-6709-9SX9S-H	10.8	1-1/8" ODF	152.40	6.00	709.00	27.91	531.50	20.93	88.75	3.49	531.50	20.93	140	5.51
9	LRRH-6762-9SX9S-H	11.5				762.00	30.00	584.50	23.01	88.75	3.49	584.50	23.01		
10	LRRH-6800-9SX9S-H	12.3				800.00	31.50	622.50	24.51	88.75	3.49	622.50	24.51		

Nomenclature



Liquid Refrigerant Bi-Flow Receivers Horizontal



In conclusion, Dry All Liquid Refrigerant Receivers offers a wide range of key features and advantages that make them the ideal choice for heat pumps and reverse cycle applications. With their customization options, multiple configurations, and safety accessories, they provide reliable and efficient liquid refrigerant management, ensuring the smooth operation and longevity of your heat pump or reverse cycle system.

Manufactured by:



Full Range of HVAC&R Line Products

SAFE A&T Technology Private Limited

D-4, MIDC, Phase II, Dombivali (E),

Dist. Thane-421 201.

T : +91-(0)-251-2870680/81/82

M : +91-9619933838

Customer Care : +91 8181 994 994

E : info@dryall.net

W : www.dryall.net

REV24-04-07-00