

Dry All

Full Range of HVAC&R Line Products



**Battery Thermal Management System (BTMS)
Brazed Plate Heat Exchanger**

Introduction

Dry All Brazen Plate Heat Exchanger, DA-BTMS series are used in battery thermal management systems to manage and regulate the temperature of batteries in electric vehicles or other battery-powered applications. It's designed to transfer heat between two different fluid circuits, effectively cooling or heating the battery as needed.

Some key points about this Brazen Plate Heat Exchangers used in battery thermal management systems:

Advantages

Function: The primary function of a Brazen Plate Heat Exchanger in battery thermal management is to transfer heat between the battery coolant circuit and an external cooling or heating circuit. This helps regulate the temperature of the battery to maintain optimal operating conditions.

Design: Brazen Plate Heat Exchangers consist of multiple thin metal plates stacked and brazen together. The design facilitates efficient heat transfer between the fluid streams while maintaining a compact size and high thermal efficiency.

Cooling and Heating: In battery thermal management systems, these heat exchangers can be utilized for both cooling and heating purposes. During operation, when the battery needs to be cooled down, a coolant fluid (usually a refrigerant or water-glycol mixture) passes through the heat exchanger, dissipating heat from the battery to the external cooling system.

Efficiency: Brazen Plate Heat Exchangers are known for their high heat transfer efficiency due to their compact design, which allows for increased surface area for heat exchange between the fluids.

Battery Safety and Performance: Maintaining the battery at an optimal temperature range is crucial for its performance, efficiency, and longevity. Heat exchangers help manage heat generated during charging or discharging, thereby enhancing the safety and reliability of the battery system.

Integration into Battery Systems: These heat exchangers are integrated into the thermal management systems of electric vehicles or other applications using batteries. They are often connected to a complex network of coolant lines and pumps to regulate the temperature of the battery pack.

Brazen Plate Heat Exchangers are integral components in battery thermal management systems, contributing significantly to the efficient operation and temperature control of batteries in electric vehicles and other battery-powered applications. These systems help optimize battery performance, extend battery life, and ensure safety during operation.

Key Features

Dry All, DA-BTMS Series offer several advantages when used in Battery Thermal Management Systems (BTMS) for electric vehicles or other battery-powered applications:

1. High Heat Transfer Efficiency
2. Compact Design
3. Durable and Reliable Structure
4. Improved Battery Performance
5. Energy Efficient
6. Higher Volume Capacity
7. Reduced Environment Impact
8. High pressure application
9. Compatible of most refrigerants

Working

A battery thermal management system (BTMS) in a vehicle that uses a brazed plate heat exchanger (BPHE) as a chiller operates to maintain optimal battery temperature for performance, safety, and longevity.

- During operation due to internal resistance and electro chemical reaction, batteries generate heat. Excessive heat can reduce battery efficiency, degrade materials, and pose safety risks.
- A coolant (usually a mixture of water and glycol) is circulated through the battery pack. This coolant absorbs the heat generated by the batteries.
- The heated coolant then flows through the BPHE. The BPHE is designed with multiple thin plates that create channels for the coolant and refrigerant to flow in close proximity but without mixing. A refrigerant is circulated through the BPHE by the vehicle's refrigeration system. The refrigerant absorbs heat from the coolant due to the temperature difference between them. As the refrigerant absorbs the heat, it evaporates, cooling the coolant in the process.
- Cooled coolant exits the BPHE and is recirculated back through the battery pack to continue absorbing heat.
- The heated refrigerant moves to the vehicle's compressor, which increases its pressure and temperature. It then flows through a condenser where it releases the absorbed heat to the outside air and condenses back into a liquid. The refrigerant is then expanded and cooled before returning to the BPHE to repeat the cycle.

This process ensures that the battery temperature is kept within an optimal range, enhancing performance, safety, and battery life. The BPHE is effective because it provides a large surface area for heat exchange in a compact design, making it ideal for automotive applications where space and efficiency are crucial.

Battery Thermal Management System (BTMS) Brazen Plate Heat Exchanger

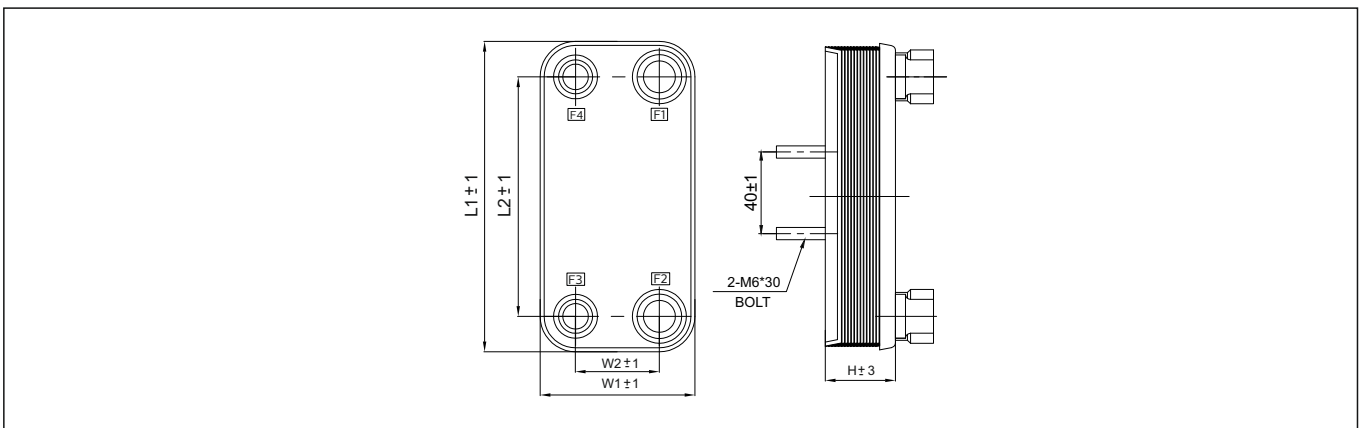


As Evaporator

Model Available

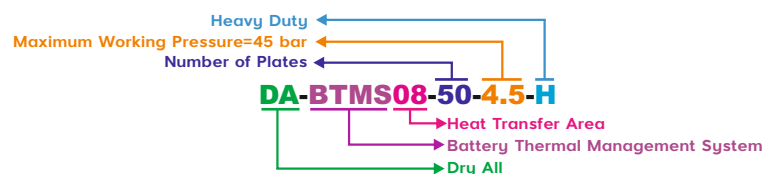
Sr. No.	Model No.	Capacity in TR Evaporator	Capacity in KW Evaporator	No of Plates	Total Heat Transfer Area(m ²)	Weight (kg)	Max Working Pressure (Bar)	Volume (Ltr)	
								F1F2 Side	F3F4 Side
1	DA-BTMS08G-50-4.5-H	3.42	12	50	0.48	1.90	45	0.33	0.31
2	DA-BTMS08G-60-4.5-H	4.28	15	60	0.58	2.18	45	0.39	0.37

Dimensional Detail



Sr. No.	Model No.	L1(mm)	L2(mm)	W1(mm)	W2(mm)	H Thickness (mm)	F1/F2	F3/F4
1	DA-BTMS08G-50-4.5-H	153	120	75	42	73	3/4" ODF	1/2" ODF
2	DA-BTMS08G-60-4.5-H	153	120	75	42	85	3/4" ODF	1/2" ODF

Nomenclature



Technical Details

TECHNICAL DATA	
Maximum working pressure (Bar)	45 Bar
Maximum Test Pressure (Bar)	67 Bar
Design Temperature	-196°C/+200°C
Plate Material	SS316L
Connection Material	SS304
Cover Plate Material	SS304
Brazing Material	Copper

Performance Data

Sr. No.	Model No.	Refrigerant	Coolant Flow rate (LPM)	ΔT°C Temperature Drop	Evaporation Temperature (°C)
1	DA-BTMS08G-50-4.5-H	R410A	10	17	5
2			20	10	5
3			30	6	5
4			40	4.5	5
5	DA-BTMS08G-60-4.5-H		10	17	5
6			20	10	5
7			30	6	5
8			40	4.5	5

Application

1. Battery Thermal Management System
2. Electric Bus air-conditioning
3. Process chillers
4. Light commercial air-conditioning
5. Precision Cooling
6. Cold Room
7. Test Chambers

“Dry All” Battery Thermal Management System (BTMS) Braze Plate Heat Exchanger are designed to deliver enhanced performance with maximum heat transfer that ensure enduring resilience and longer life of batteries.

Manufactured by:



SAFE A&T Technology Private Limited

D-4, MIDC, Phase II, Dombivali (E),
Dist. Thane-421 201.

T : +91-(0)-251-2870680/81/82

M : +91-9619933838

Customer Care : +91 8181 994 994

E : info@dryall.net

W : www.dryall.net

File No.: L/S&M/01

REV23-05-2B-00