

Dry All[®]

Full Range of HVAC&R Line Products

UL
C **US**
LISTED



LIQUID REFRIGERANT RECEIVER (VERTICAL)

Introduction

In a refrigeration system, the liquid refrigerant receiver has multiple uses. When a refrigeration system is operating normally, it serves a reservoir for the refrigerant, guarantees that a reserve amount of refrigerant is available during time of high load demands, and offers a location to store the refrigerant charge during either automatic or service pump downs. The pump down of the refrigeration system can be done by storing the liquid refrigerant in the receiver provided they are sized correctly. This is extremely desired to allow a system to be serviced or repaired with ease. It collects the condensed liquid refrigerant leaving from the condenser outlet and feeds liquid to the liquid line of the system.

Receivers internal volume allows it to store the liquid refrigerant. Hence the refrigeration system can respond to varying heat loads by varying the refrigerant flow rate. For this a thermostatic expansion valve is used in combination with receiver. Dry All liquid refrigerant receivers are of two types vertical and horizontal.

Features

- Dry All, manufacturers wide range of liquid receivers in both vertical and horizontal configurations. Vertical are mounting flange type liquid receivers and also mounting stud type liquid receivers.
- Dry All specially designed to achieve maximum refrigerant flow rate and minimum pressure drop.
- Vertical deep draw type liquid receivers are also available for special purpose cases. Receivers with NPT connection are also available on request.

Applications

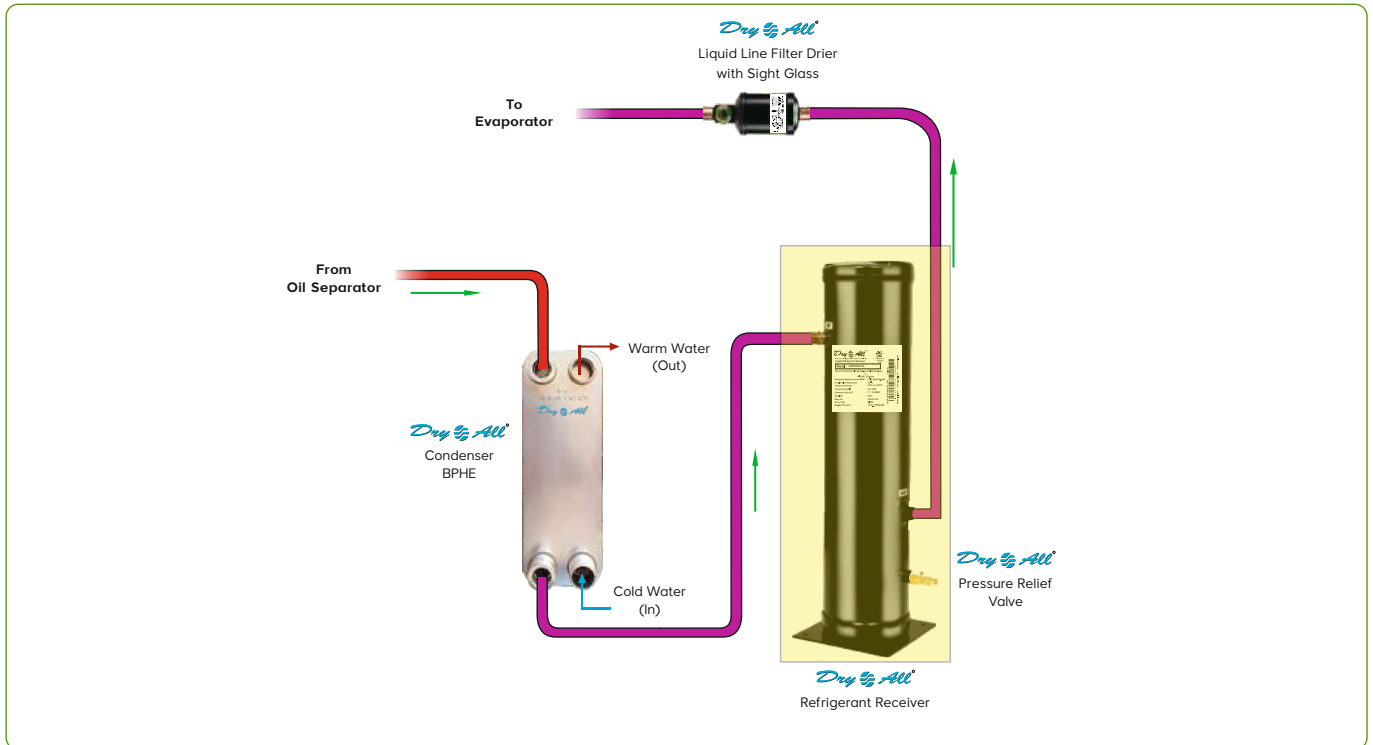
- Liquid refrigerant receiver is installed in refrigeration and air conditioning system.
- It is installed between condenser and expansion device to supply continuous flow to expansion device.
- It also stores refrigerant charge during service of system.

Technical Specifications

1. Maximum working pressure= 653 & 450 psig
2. Design temperature = -10°C to 100°C
3. Compatible with all flammable and non-flammable, HFC's and HCFC's and their associated oils. Designed for maximum flow of refrigerant and minimum pressure drop.

Liquid Refrigerant Receiver (Vertical)

Heat Pump Refrigeration Cycle



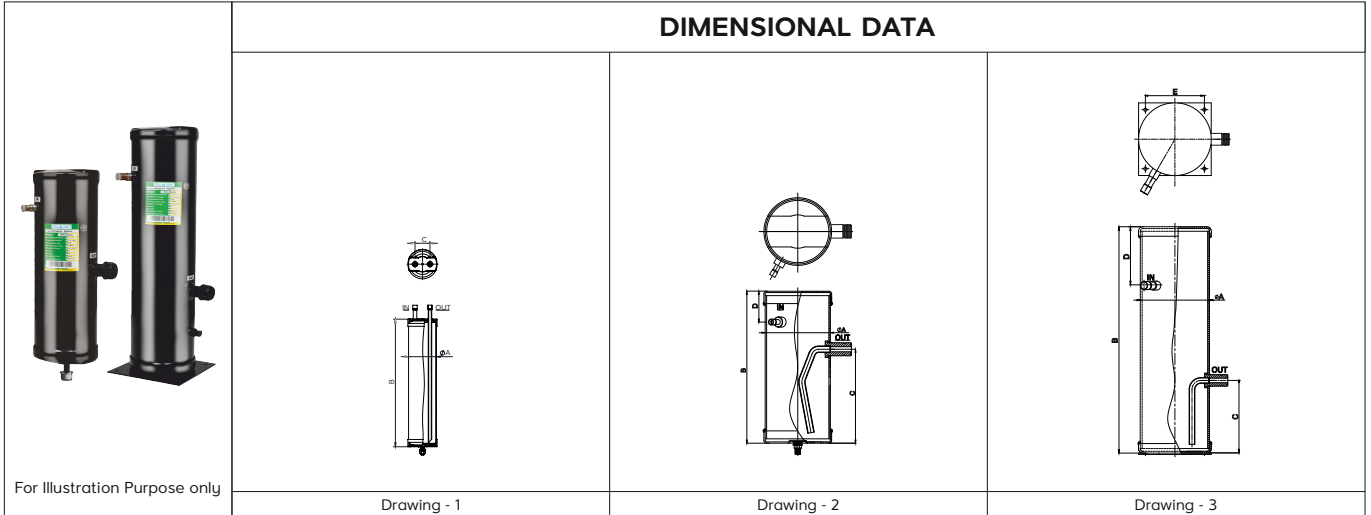
Mounting

1. Flange type: In big installations, stand-alone receivers are mounted using this method because it offers the maximum stability.
2. Stud type: The installation team can attach the receiver to a plinth by using the stud that is provided. This approach is frequently employed when the receiver is a component of a pack of several compressors.

Liquid Refrigerant Receiver (Vertical)



IMAGE, DRAWINGS & MODELS AVAILABLE



For Illustration Purpose only

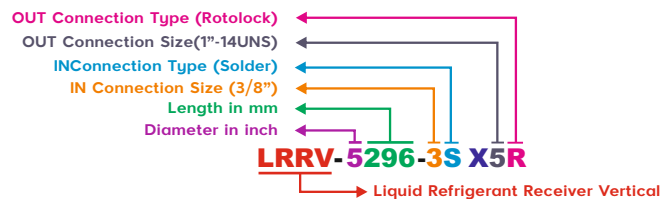
Sr. No.	Model No.	Internal Volume Capacity (Liters)*	Pump Down Capacity (KG)	Connection		Dimension					Mounting Option	Refer Drawing No.	Liquid Indicator	Inbuilt Fusible Plug					
				Inlet	Outlet	ØA		B		C					D		E		
						mm	inch	mm	inch	mm					inch	mm	inch	mm	inch
UL LISTED																			
1	LRRV-3350-3SX3S	1.4	1.4	3/8" ODF	3/8" ODF	76.2	3	350	13.78	41	1.62	NA	NA	NA	NA	M8 X1.25 Bolt & Nut	1	Not Applicable	Yes
2	LRRV-3482-3SX3S	2.0	1.9			482	18.87	41	1.62	NA	NA	NA	NA	NA	NA	M8 X1.25 Bolt & Nut	1		
3	LRRV-5296-3SX5R	2.9	2.3			296	11.65	60	2.36	NA	NA	NA	NA	M10 X 1.5 Bolt & Nut	2				
4	LRRV-5376-4SX5R	4.2	3.4	1/2" ODF	1" -14 UNS*	127	5	376	14.81	74	2.91	NA	NA	NA	NA	NA	NA	NA	NA
5	LRRV-5456-4SX5R	4.65	3.75			456	17.96	183	7.20	86	3.38	NA	NA	NA	NA	NA	NA	NA	NA
6	LRRV-5536-4SX5R	6.1	5.0	5/8" ODF	1" -14 UNS*	152.4	6	536	21.11	106	4.17	130	5.12	NA	NA	NA	NA	NA	NA
7	LRRV-5566-5SX5R	6.4	5.3					566	22.28	111	4.37	NA	NA	NA	NA	NA	NA	NA	NA
8	LRRV-6465-4SX5R	7	5.7	1/2" ODF	1" -14 UNS*	152.4	6	465	18.31	93	3.66	130	5.12	NA	NA	NA	NA	NA	NA
9	LRRV-6526-5SX5R	7.9	6.4	526				20.71	125	4.92	NA	NA	NA	NA	NA	NA	NA	NA	NA
10	LRRV-6587-5SX5R	9	7.7	5/8" ODF	1" -14 UNS*	152.4	6	587	23.12	125	4.92	130	5.12	NA	NA	NA	NA	NA	NA
11	LRRV-6648-5SX5R	9.93	8.6					648	25.52	128	5.03	NA	NA	NA	NA	NA	NA	NA	NA
12	LRRV-6709-5SX5R	11.2	9.4	7/8" ODF	1-1/4"-12 UNF*	152.4	6	709	27.92	139	5.47	130	5.12	NA	NA	NA	NA	NA	NA
13	LRRV-6770-7SX7R	12.1	10					770	30.32	181	7.12	129	5.07	NA	NA	NA	NA	NA	NA

Note :

- Maximum working pressure: 450 psig
- Design temperature: -10°C to 100°C
- Capacity mentioned as per ARI-495 @32°C
- [*] Denotes Connections are of Steel.
- Rotolock valve has to be ordered separately.
- Fusible relief temperature = 221°C
- Can be supplied with CE certification on request.

Rotolock Valve Options	
Rotolock Thread Sizes	Solder Sizes Available
1" -14 UNS	3/8", 1/2", 5/8", 7/8"
1-1/4"-12 UNF	5/8", 3/4", 7/8", 1 1/8"


Nomenclature



Liquid Refrigerant Receiver (Vertical)

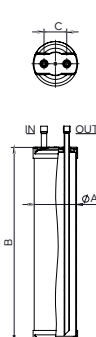
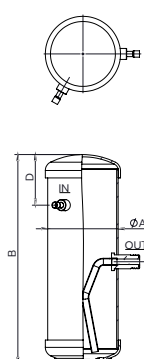
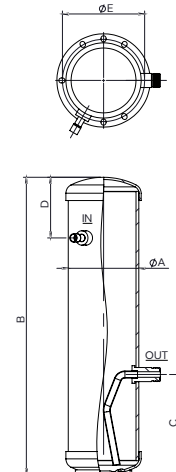
IMAGE, DRAWINGS & MODELS AVAILABLE





For Illustration Purpose only

DIMENSIONAL DATA

Drawing - 1
Drawing - 2
Drawing - 3

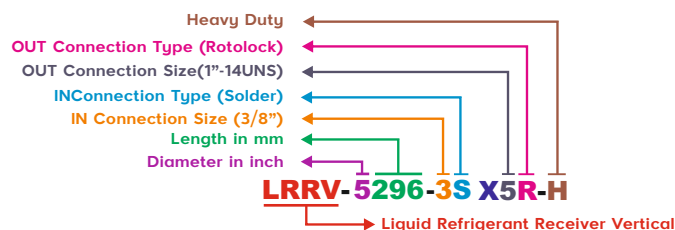
No.	Model No.	Internal Volume Capacity (Liters)*	Pump Down Capacity (KG)	Connection		Dimension								Mounting Option	Refer Drawing No.	Liquid Indicator	Inbuilt Fusible Plug			
				Inlet	Outlet	ØA		B		C		D						E		
				mm	inch	mm	inch	mm	inch	mm	inch	mm	inch							
1	LRRV-3350-3SX3S-H	1.4	1.4	3/8" ODF	3/8" ODF	76.2	3	350	13.78	41	1.62	NA	NA	NA	NA	MBX1.25 Bolt & Nut	1	Not Applicable		
2	LRRV-3482-3SX3S-H	2.0	1.9			482	18.87	41	1.62	NA	NA	NA	NA	NA	NA	NA	M10 X 1.5 Bolt & Nut	2	Not Applicable	
3	LRRV-5296-3SX5R-H	3.3	2.7			296	11.65	191	7.63	83	3.26	NA	NA	NA	NA					
4	LRRV-5376-4SX5R-H	4.3	3.5	1/2" ODF	1" -14 UNS*	127	5	456	17.96	183	7.20	86	3.38	150	5.90	Round Flange	3	Yes		
5	LRRV-5456-4SX5R-H	5.2	4.3			376	14.81	191	7.63	91	3.58	NA	NA	NA	NA					
6	LRRV-5536-4SX5R-H	6.1	5.0			536	21.11	180	7.08	109	4.17	150	5.90	NA	NA					
7	LRRV-5566-5SX5R-H	6.4	5.3	5/8" ODF	1" -14 UNS*	127	5	566	22.28	183	7.20	111	4.37	150	5.90	Round Flange	3	Yes		
8	LRRV-6465-4SX5R-H	7.4	6.1	1/2" ODF				152.4	6	465	18.31	157	6.18	93	3.66				172	6.77
9	LRRV-6526-5SX5R-H	8.4	6.9	5/8" ODF						526	20.71	155	6.10	109	4.17				172	6.77
10	LRRV-6587-5SX5R-H	9.5	7.7		587	23.12	160			6.29	117	4.60	172	6.77						
11	LRRV-6648-5SX5R-H	10.4	8.6	5/8" ODF	152.4	6	648	25.52	160	6.29	128	5.03	172	6.77	Round Flange	3	Yes			
12	LRRV-6709-5SX5R-H	11.4	9.4				709	27.92	160	6.29	139	5.47	172	6.77						
13	LRRV-6770-7SX7R-H	12.1	10	7/8" ODF			1-1/4"-12 UNF*	770	30.32	179	7.04	145	5.70	172				6.77		

Note:

- MWP for above Receivers with UL is 653 psig.
- Design temperature: -10°C to 100°C.
- Capacity mentioned as per ARI-495 @32°C.
- [*] Denotes Connections are of Steel Connections.
- Fusible relief temperature = 221°C.
- Rotolock valve has to be ordered separately.
- Can be supplied with CE certification on request.

Rotolock Valve Options		
Rotolock Thread Sizes	Solder Sizes Available	
1" -14 UNS	3/8", 1/2", 5/8", 7/8"	
1-1/4"-12 UNF	5/8", 3/4", 7/8", 1-1/8"	

Nomenclature



Liquid Refrigerant Receiver (Vertical)

IMAGE, DRAWINGS & MODELS AVAILABLE

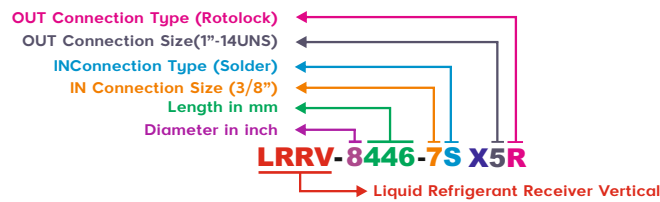
Sr. No.	Model No.	Internal Volume Capacity (Liters)*	Pump Down Capacity (Kg)	Connection		Dimension					Mounting Option	Refer Drawing No.	Liquid Indicator	Inbuilt Fusible Plug			
				Inlet	Outlet	ØA		B		C					D		E
						mm	inch	mm	inch	mm	inch	mm	inch				
NON UL LISTED																	
1	LRRV-8446-7SX5R(F)	15	10.3	7/8" ODF	1"-14 UNS*			446	17.56			357	14.06	Round Flange	1	Available	No
2	LRRV-8530-7RX7R(F)	18	13.2	1-1/4"-12 UNF*	1-1/4"-12 UNF*	219	8	530	20.87	224	8.82	441	19.09				
3	LRRV-8588-7RX7R(F)	19.9	15.1			588	23.15	499	19.65								
4	LRRV-8732-7RX7R(F)	25	20.4			732	28.82	643	25.31								

Note :

- Maximum working pressure: 653 psig
- Design temperature: -10°C to 100°C
- Capacity mentioned as per ARI-495 @32°C
- [*] Denotes Connections are of Steel.
- Rotolock valve has to be ordered separately.
- Fusible relief temperature = 221°C
- Can be supplied with CE certification on request.

Rotolock Valve Options	
Rotolock Thread Sizes	Solder Sizes Available
1"-14 UNS	3/8", 1/2", 5/8", 7/8"
1-1/4"-12 UNF	5/8", 3/4", 7/8", 1 1/8"

Nomenclature



Note: Dry All reserves the right to alter its products without notice and will not accept any responsibility for possible errors in catalogues, brochures and other printed materials. Imitation / reproduction of information from this catalogue in part or whole cannot be done without prior approval in writing from our company.

Check Hologram for
Genuine Product

Dry All[®]

Full Range of HVAC&R Line Products

Manufactured by:

SAFE A&T Technology Private Limited

D-4, MIDC, Phase II, Dombivali (E),
Dist. Thane-421 201.

T : +91-(0)-251-2870680/81/82

Customer Care : +91 8181 994 994

E : info@dryall.net

W : www.dryall.net

File No.: L/S&M/01
REV: 00